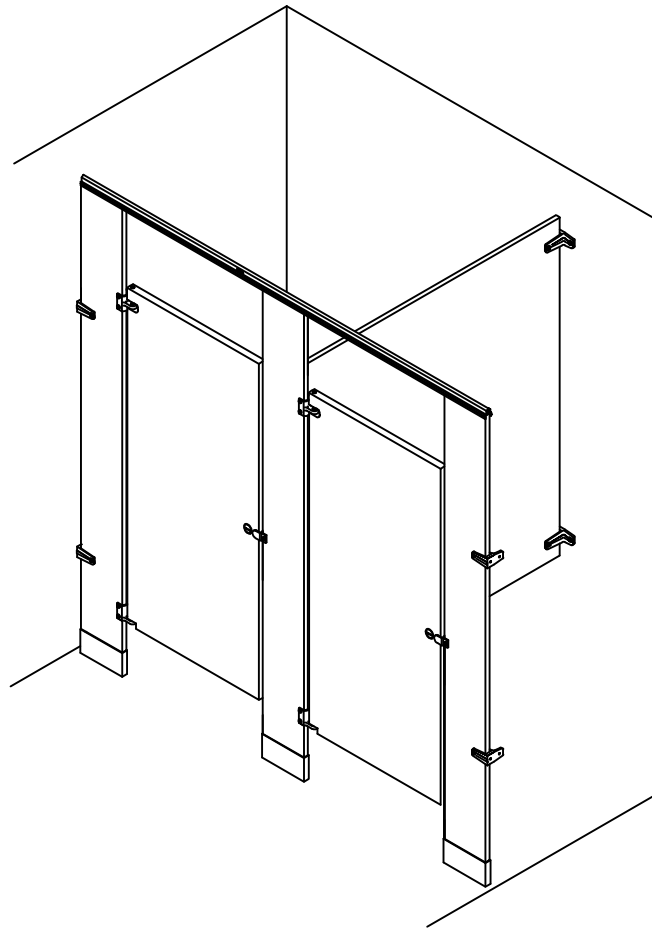




INSTALLATION INSTRUCTIONS FOR
POWDER COATED AND STAINLESS STEEL PARTITIONS





Thank you for choosing Global Partitions

This installation guide was designed to cover as many variations of hardware and mounting styles possible, while also trying to keep it light and focused.

While all materials and standard mounting selections are present, in order to cover the numerous choices of hardware, we have presented each material with it's default hardware. Therefore, while each type is covered, it will be with it's most common mounting style (i.e. continuous brackets on ceiling-hung, piano hinges on Polymer)

Please read all steps in their entirety before beginning actual install, as some field conditions and hardware combinations may require alternate installation.



Powder coated metal / Stainless steel

Table Of Contents

<u>Floor Anchored/Overhead Braced</u>	<u>Page</u>
Step 1,2,3.....	1
Step 4,5,6.....	2
Panel To Pilaster/Wall Two Ear Assembly.....	3
Panel To Pilaster/Wall One Ear Assembly.....	4
Pilaster/Wall One Ear Assembly.....	5
Pilaster/Panel Alcove Assembly.....	6
Pilaster/Panel Inline Assembly.....	7
Door Hardware Assembly (Typical All Styles) ...	8A-8B
Headrail Assembly.....	9
Urinal Screen Assembly.....	10
<u>Floor Anchored</u>	<u>Page</u>
Step 1,2,3.....	11
Step 4,5,6.....	12
Panel To Pilaster/Wall Two Ear Assembly.....	13
Panel To Pilaster/Wall One Ear Assembly.....	14
Pilaster/Wall One Ear Assembly.....	15
Pilaster/Panel Alcove Assembly.....	16
<u>Ceiling Anchored</u>	<u>Page</u>
Step 1,2,3.....	17
Step 4,5,6.....	18
Panel To Pilaster/Wall Two Ear Assembly.....	19
Panel To Pilaster/Wall One Ear Assembly.....	20
Pilaster/Wall One Ear Assembly.....	21
Pilaster/Panel Alcove Assembly.....	22

Table Of Contents

<u>Floor Anchored And Ceiling Anchored</u>	<u>Page</u>
Step 1,2,3.....	23
Step 4,5,6.....	24
Panel To Pilaster/Wall Two Ear Assembly.....	25
Panel To Pilaster/Wall One Ear Assembly.....	26
Pilaster/Wall One Ear Assembly.....	27
Pilaster/Panel Alcove Assembly.....	28
Pilaster/Panel Inline Assembly.....	29
<u>Full Height Bracket Kits</u>	<u>Page</u>
Panel To Pilaster/Wall Two Ear Assembly.....	30
Panel To Pilaster/Wall One Ear Assembly.....	31
Pilaster/Wall One Ear Assembly.....	32
Urinal Screen Assembly.....	33
<u>Product Information</u>	<u>Page</u>
Care And Maintenance Of Toilet Partitions.....	34

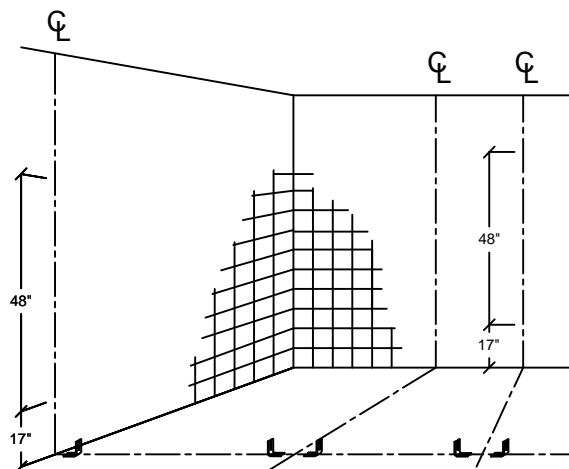
The Components for this project have been custom fabricated. They are guaranteed with respect to manufacture and workmanship and were inspected at the factory.

Before beginning work, the units should be inspected. If damage occurred in transit, report immediately to the freight company or other agencies that may have caused the damage.

**STEP 1
LAYOUT**

- A. Review the layout drawings and package lists that have accompanied this job.
- B. Before proceeding, confirm that backing of walls and floor is adequate to support secure mounting of the toilet compartment units.
- C. Establish and mark pilaster center line from back wall.
- D. Establish and mark panel center lines for wall brackets.
- E. Establish pilaster floor fastener locations from side wall according to shop drawings. (Note floor fasteners are located roughly 1" from lockstrip edge of pilaster. Larger overhead-braced pilasters will have multiple stems. Use only the 2 outside stems for floor attachment. Conversely, 3" and 4" pilasters will use only one " L" clip on one of the two stems.
- F. Mark wall bracket holes using the brackets as templates.

FIGURE 1



**STEP 2
WALL BRACKETS AND FLOOR BRACKETS**

- A. Using shop drawings, drill holes for wall brackets and floor fastenings for particular fastening devices supplied. Typically 1/4" drill bits can be used throughout. An assortment of bit sizes are recommended as site conditions vary.
- B. Insert anchoring devices in walls and secure wall brackets.
- C. Insert expansion shields. Position shoe clips and then "L" brackets over expansion shields and secure loosely with screws. (Securingly loosely at this time will allow for lateral pilaster adjustment.)

Detail of pilaster mounting can be found in Step 5.

FIGURE 2

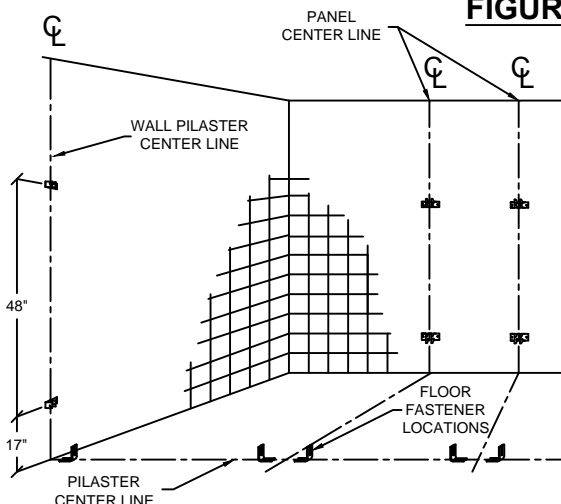
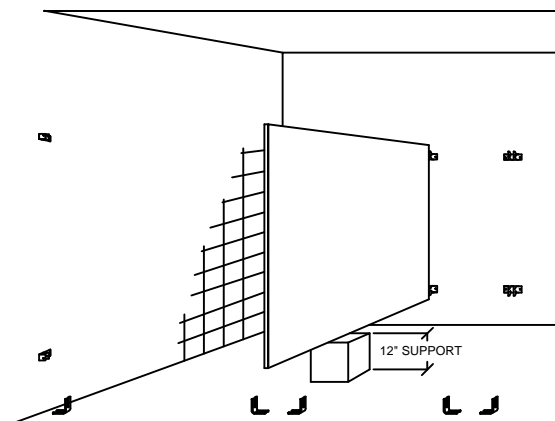


FIGURE 3

**STEP 3
POSITION PANEL**

- A. Place panel on a support, 12" above the floor.
- B. Set it into wall brackets, but do not fasten panel at this time.



STEP 4

PILASTER PREPARATION

- A. Refer to layout drawings for placement of U-brackets in position on rear of pilasters. Make sure brackets are in alignment with wall brackets.
- B. Fasten U-brackets to pilaster with sheet metal screws.

NOTE: Pilasters at wall do not require U-brackets, but should be prepared for wall (and floor fastening) as required by compartment layout.

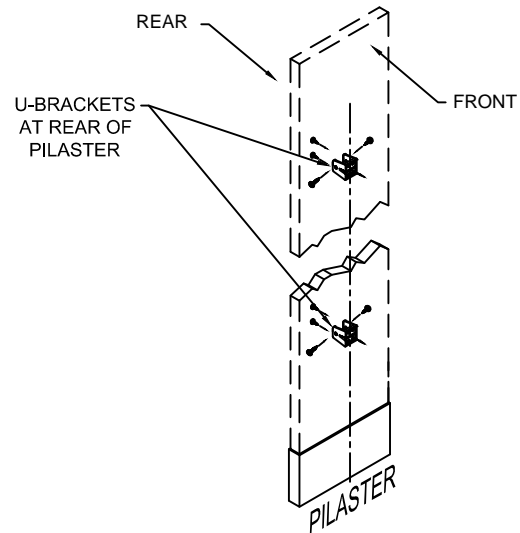


FIGURE 4

STEP 5

INSTALL PILASTERS

- A. Inspect stainless steel shoe carefully for bowing. If shoe seems wide, squeeze edges and center to ensure shoe will not bow away from pilaster faces. Slide stainless steel shoe carefully over mounting end of pilaster and leave approximately 5" above bottom end of pilaster. Shoe can be held in place with painters tape to avoid sliding.
- B. Place pilaster between "L" brackets and fasten loosely with screws at pre-drilled locations at each side. (3" and 4" pilasters will have only 1 "L" clip.) Adjust threaded Jack bolt until it reaches floor.

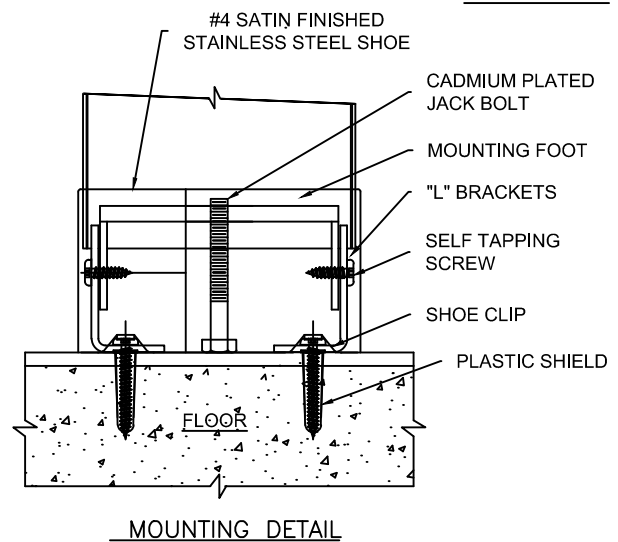


FIGURE 5

STEP 6

SECURING PILASTERS/PANELS

- A. Plumb each pilaster and fasten the pilaster to panel using "U" brackets and sheet metal screws.
- B. Establish door openings by setting pilaster mounting.
- C. Tighten self tapping screw to "L" brackets.
- D. Slide stainless steel shoe down to floor level, firmly engaging shoe clips.
- F. Remove panel support device.

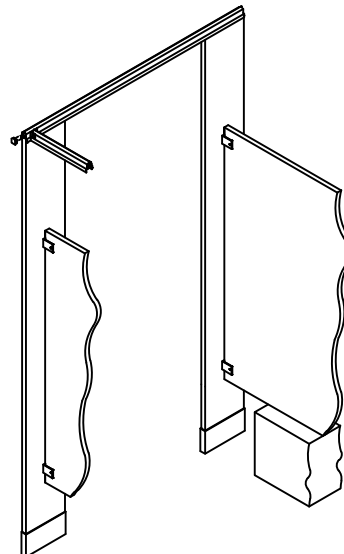


FIGURE 6

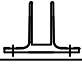
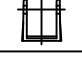



**FLOOR ANCHORED/OVERHEAD BRACED
PANEL TO PILASTER/WALL
TWO EAR ASSEMBLY**

Fasten pilaster to panel using sheet metal screws(Refer to steps 4 & 6)

Pre-drill for screws with 1/8" bit.

Pilasters must be both plumb and level. To assist in leveling, headrail may be lightly positioned across adjacent pilasters(do not fasten at this time)

Remove support device.

Panel Hardware Kit (P/N 40-8515020G) Includes: CHROME PLATED ZAMAC		
Panel Hardware Kit (P/N 40-8265021G) Includes: STAINLESS STEEL		
PART ID.	DESCRIPTION	QTY
1	 Two Ear Bracket	(2)
2	 "U" Bracket	(2)
3	 Vandal Resistant 2 1/2" S.M.S	(4)
4	 Plastic Shields	(4)
5	 Vandal Resistant 5/8" S.M.S	(12)

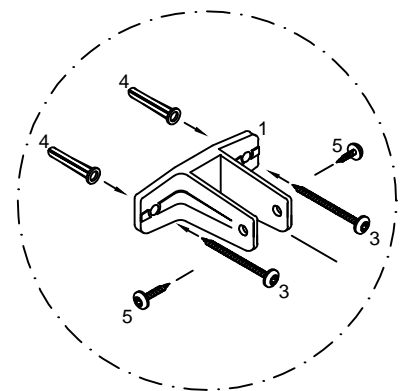
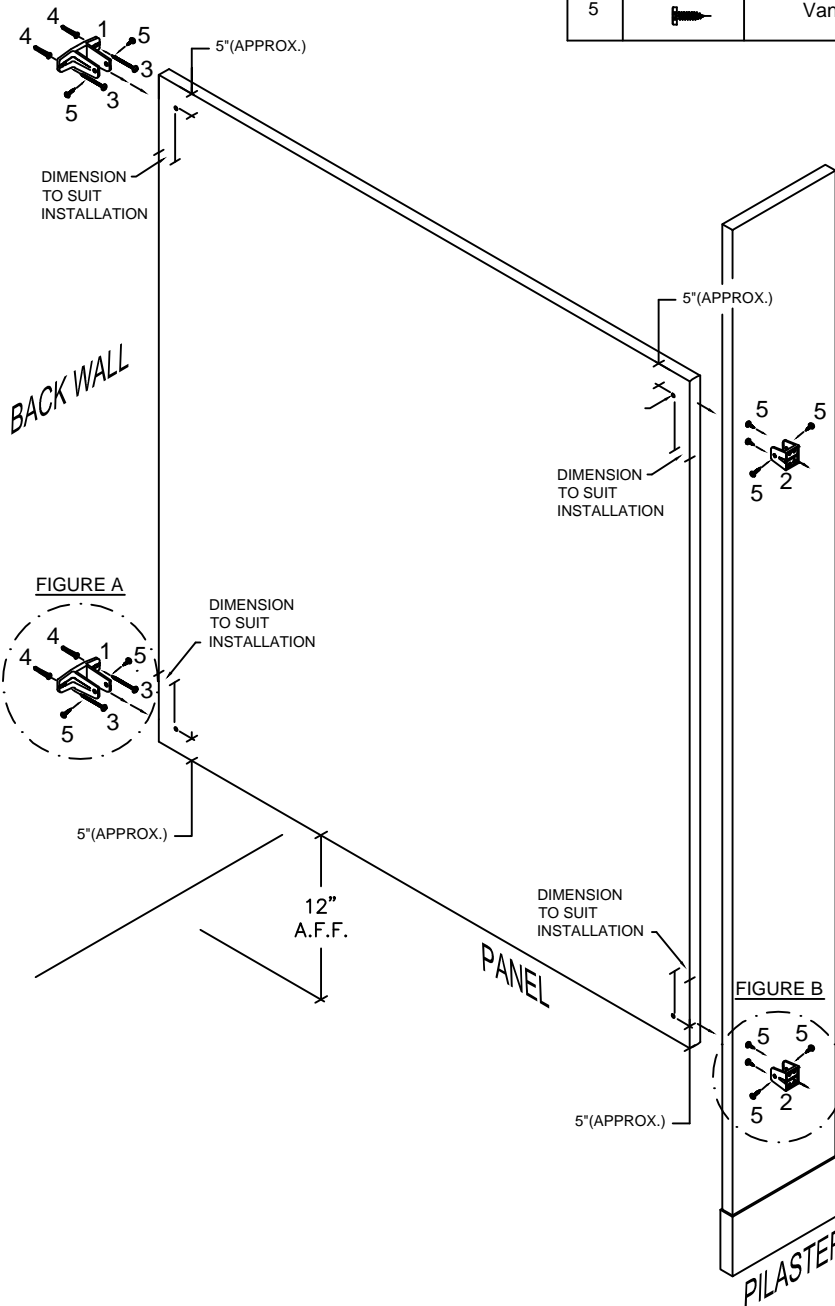


FIGURE A

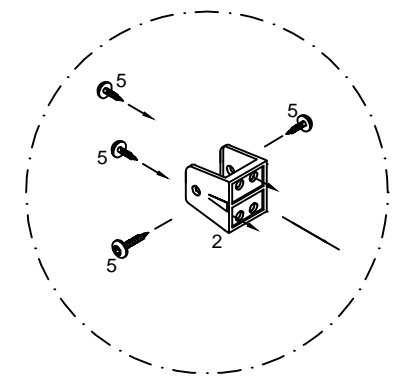


FIGURE B

NOTE:
Use Only Two Vandal Resistant 5/8" SMS
To Diagonally Fasten U-bracket
To Pilaster.


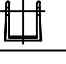
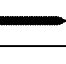
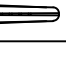

**FLOOR ANCHORED/
OVERHEAD BRACED
PANEL TO PILASTER/WALL
ONE EAR ASSEMBLY**

Fasten pilaster to panel using sheet metal screws(Refer to steps 4 & 6)

Pre-drill for screws with 1/8" bit.

Pilasters must be both plumb and level. To assist in leveling, headrail may be lightly positioned across adjacent pilasters(do not fasten at this time)

Remove support device.

Panel Hardware Kit (P/N 40-8515010G) Includes: CHROME PLATED ZAMAC		
Panel Hardware Kit (P/N 40-8265011G) Includes: STAINLESS STEEL		
PART ID.	DESCRIPTION	QTY
1	 One Ear Bracket	(2)
2	 "U" Bracket	(2)
3	 Vandal Resistant 2 1/2" S.M.S	(4)
4	 Plastic Shields	(4)
5	 Vandal Resistant 5/8" S.M.S	(12)

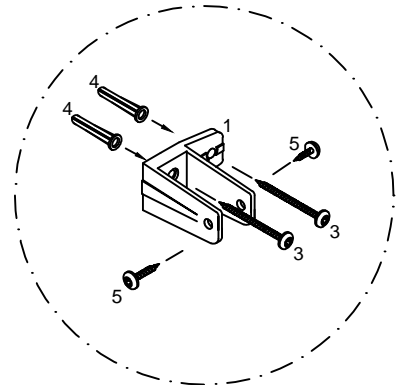
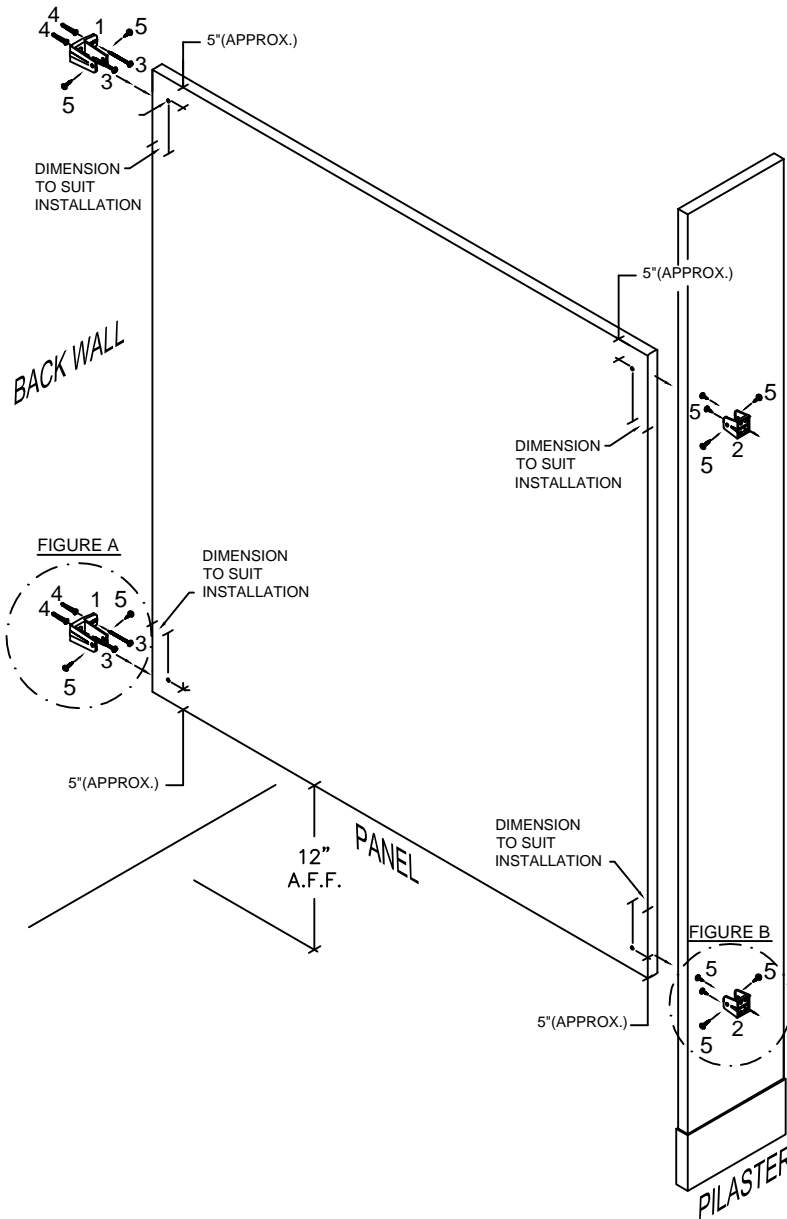
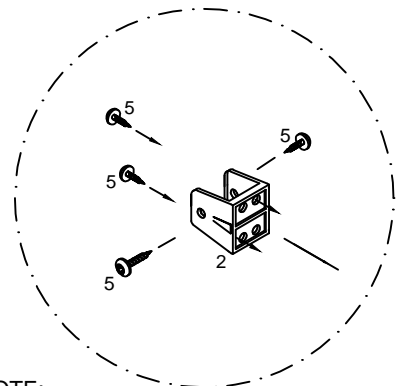


FIGURE A



NOTE:
Use Only Two Vandal Resistant 5/8" SMS
To Diagonally Fasten U-bracket To Pilaster.

FIGURE B

**FLOOR ANCHORED/OVERHEAD BRACED
PILASTER/WALL
ASSEMBLY**

Fasten using sheet metal screws.

Pilasters must be both plumb and level. To assist in leveling, headrail may be lightly positioned across adjacent pilasters(do not fasten at this time)

Establish bottom door openings by adjusting pilaster "L" brackets (anchoring) to desired position and tightening screws.(See step 6)

Pilaster/Wall Hardware Kit (P/N 40-8515210G) Includes: CHROME PLATED ZAMAC		
Pilaster/Wall Hardware Kit (P/N 40-8265211G) Includes: STAINLESS STEEL		
PART ID.	DESCRIPTION	QTY
1	 One Ear Wall Bracket	(2)
2	 Vandal Resistant 2 1/2" S.M.S	(4)
3	 Plastic Shields	(4)
4	 Vandal Resistant 5/8" S.M.S	(8)

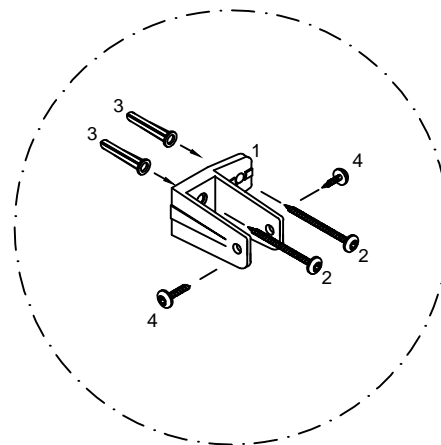
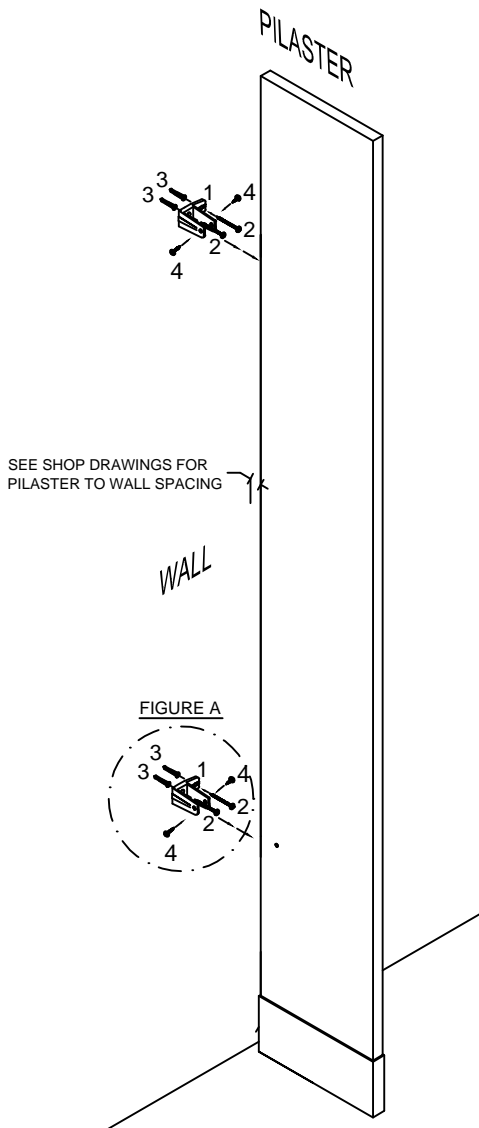
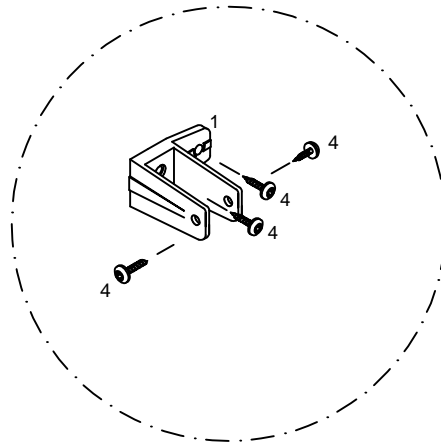


FIGURE A



ALTERNATE

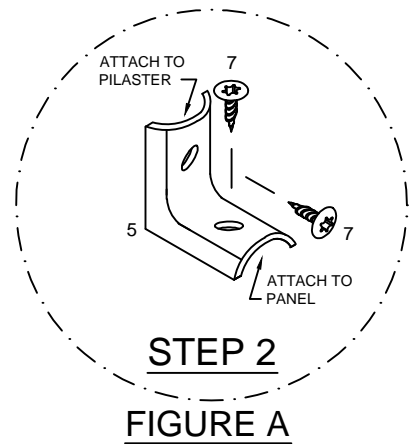
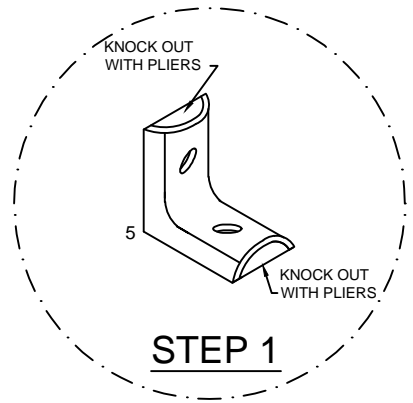
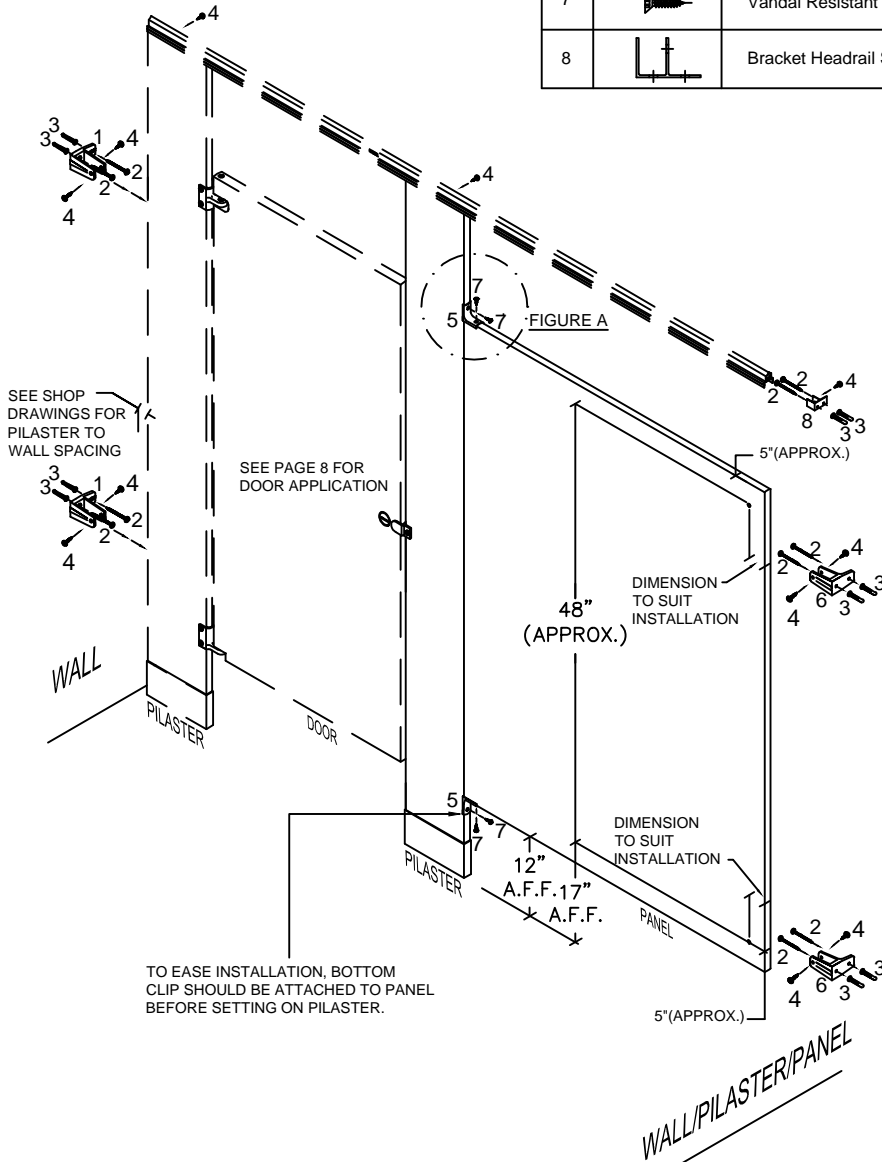
NOTE:
Replace Vandal Resistant 2 1/2" SMS
With Vandal resistant 5/8"SMS
To Fasten **Pilaster To Panel.**

**FLOOR ANCHORED/
OVERHEAD BRACED
PILASTER/PANEL ALCOVE
ONE EAR ASSEMBLY**

Note: CHROME PLATED
Replace Kit#8517310 with Kit#8517320
for two ear panel locations.

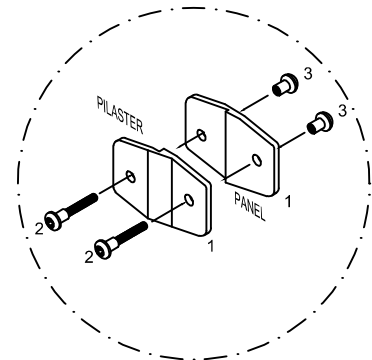
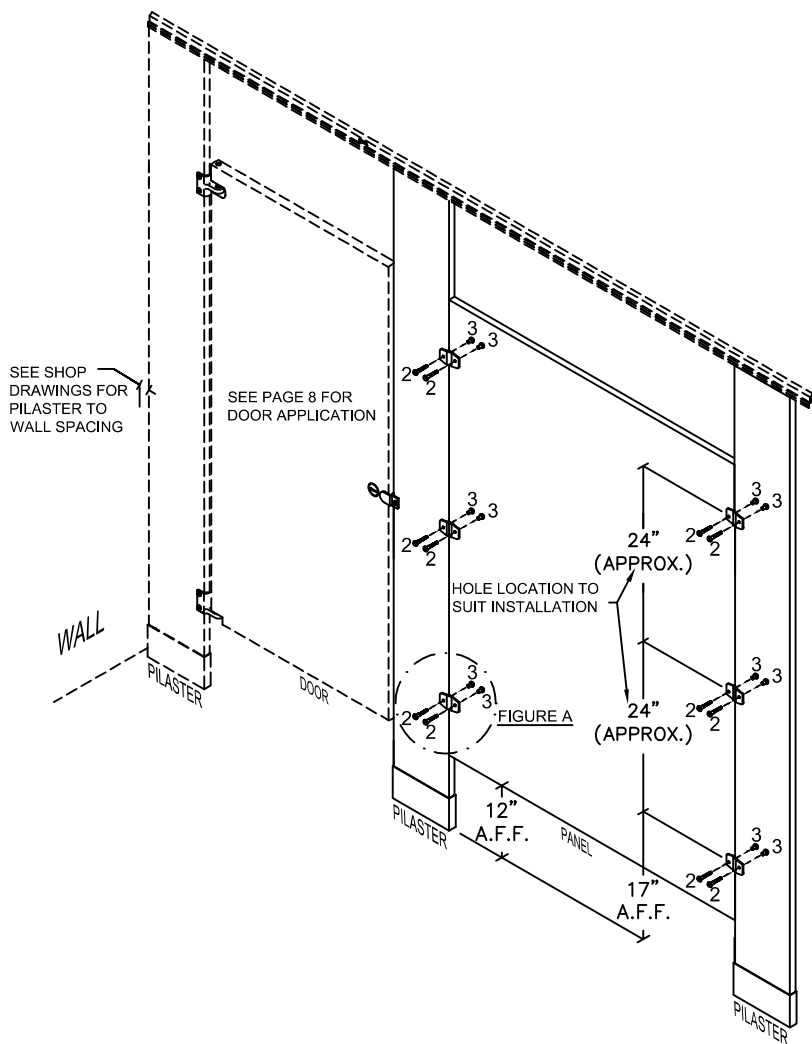
Note: STAINLESS STEEL
Replace Kit#8267311 with Kit#8267321
for two ear panel locations.

Alcove Hardware Kit (P/N 40-8517310G) Includes: CHROME PLATED ZAMAC			
Alcove Hardware Kit (P/N 40-8267311G) Includes: STAINLESS STEEL			
PART ID.		DESCRIPTION	QTY
1		1 1/4" One Ear Wall Bracket	(2)
2		Vandal Resistant 2 1/2" S.M.S	(10)
3		Plastic Shields	(10)
4		Vandal Resistant 5/8" S.M.S	(14)
5		Alcove Clip	(2)
6		1" One Ear Wall Bracket	(2)
7		Vandal Resistant 1" S.M.S	(4)
8		Bracket Headrail Satin "F" Zamac	(1)



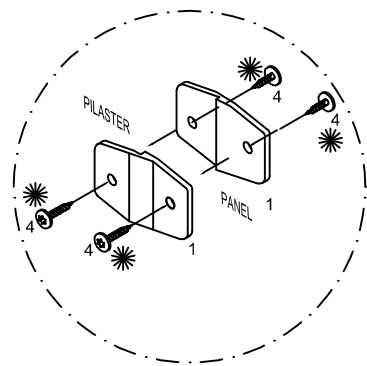
**FLOOR ANCHORED/
OVERHEAD BRACED
PILASTER/PANEL/PILASTER INLINE
ASSEMBLY**

Alternate Alcove Hardware Kit (P/N 40-8517030G) Includes: CHROME PLATED ZAMAC			
PART ID.		DESCRIPTION	QTY
1		Alcove Clips	(12)
2		Vandal Resistant Step Bolts 1" Long	(12)
3		Vandal Resistant Barrel Nut	(12)
4		Vandal Resistant 5/8" S.M.S	(24)



**FIGURE A
RECOMMENDED**

NOTE:
Offset brackets for screw clearance.





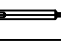

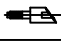









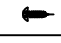


OPTIONAL

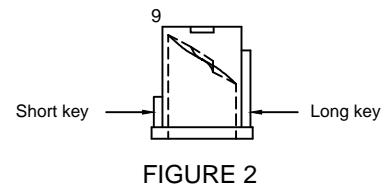
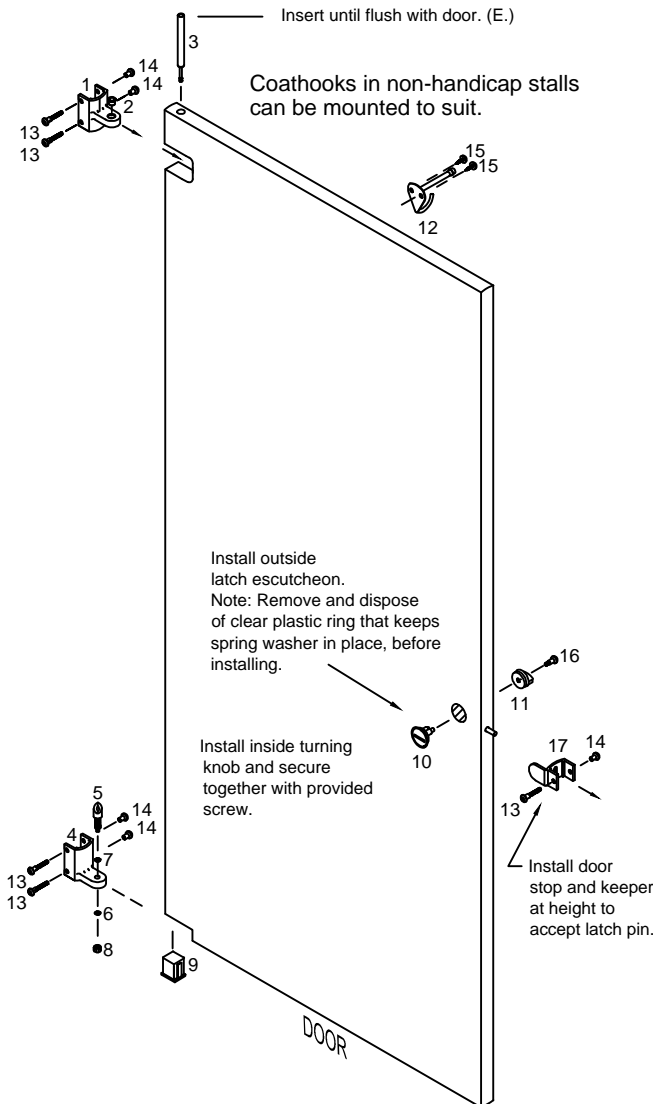
* **OPTIONAL**
Two Vandal Resistant 5/8" SMS
May be Used (But Not Recommended)
To Fasten brackets To Panel.

NOTE:
Replace Theft Resistant C/P 2 1/2"
With Theft resistant C/P 5/8"
To Fasten **Pilaster To Panel** Instead Of A Wall
Should Your Layout Call For Such.

DOOR HARDWARE ASSEMBLY

- A. Secure lower door pilaster hinge (with cam pintle in place) to pilaster with two through bolts.
- B. Secure upper door hinge (with bushing lip upward) to pilaster with two through bolts and barrel nuts. Note that the cammed hinge will force the door to rise when opened. Take this into consideration when installing and allow adequate space.
- C. Insert box cam into lower door hinge portion, short key toward edge of door (figure 2)
- D. Lowest point of cam pintle sets door "rest" position. Rotate pintle to desired position, then tighten locking nut.
- E. Install door by placing the box cam over the hinge pintle. Position top of door over upper pilaster hinge and insert hinge pin until flush with top of door.

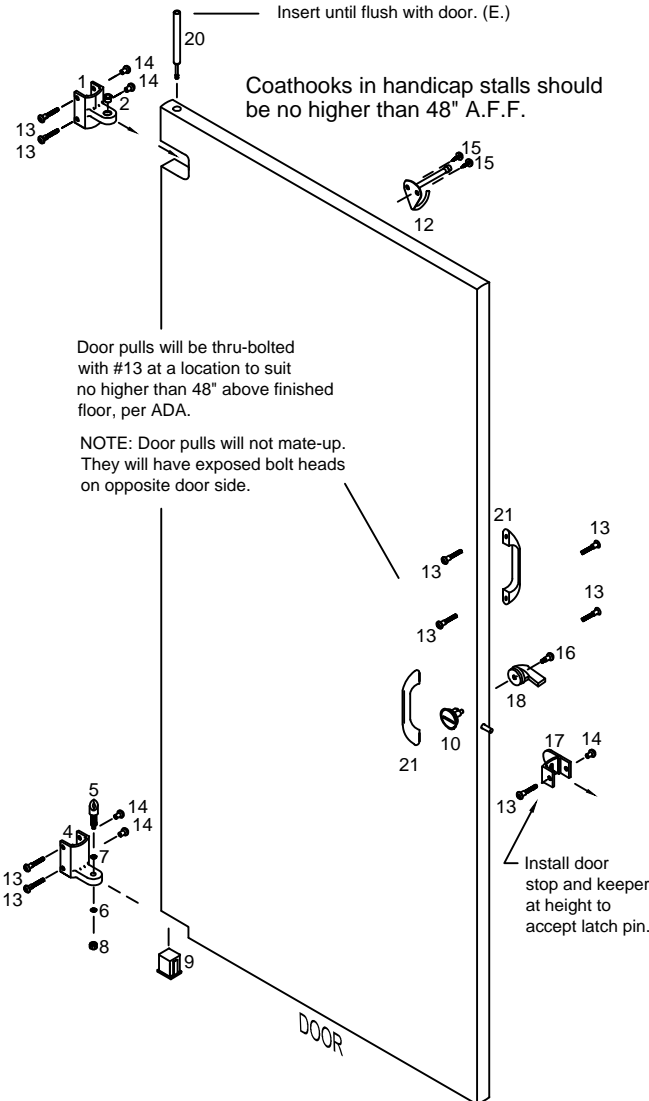
(P/N 40-8513500G) Includes: CHROME PLATED ZAMAC		(P/N 40-8263501G) Includes: STAINLESS STEEL	
PART ID.	DESCRIPTION	QTY	
1	 Hinge Top Pilaster Bracket	(1)	
2	 Hinge Bushing Nylon	(1)	
3	 Nylon Hinge Pin	(1)	
4	 Hinge Bottom Pilaster Bracket	(1)	
5	 Hinge Pintle Nylon	(1)	
6	 Hinge Washer Internal	(1)	
7	 Hinge Washer External	(1)	
8	 Hinge Nut 5/16"	(1)	
9	 Box Cam Nylon	(1)	
10	 Knob Concealed Latch Male w/ spring washer	(1)	
11	 Knob Concealed Latch Female	(1)	
12	 Bumper And Coathook	(1)	
13	 Vandal Resistant Step Bolts 1 1/4" long	(5)	
14	 Vandal Resistant Barrel Nut	(5)	
15	 Vandal Resistant S.M.S. 5/8"	(2)	
16	 Step Bolt 1/2"	(1)	
17	 Latch Concealed Stop And Keeper	(1)	



NOTE: When door pulls are used (#21, 13), offset pulls either adjacent to or above and below knobs.

DOOR HARDWARE - OUTSWING ASSEMBLY

- A. Secure lower door pilaster hinge (with cam pintle in place) to pilaster with two through bolts.
- B. Secure upper door hinge (with bushing lip upward) to pilaster with two through bolts and barrel nuts. Note that the cammed hinge will force the door to rise when opened. Take this into consideration when installing and allow adequate space.
- C. Insert box cam into lower door hinge portion, short key toward edge of door (figure 2)
- D. Lowest point of cam pintle sets door "rest" position. Rotate pintle to desired position, then tighten locking nut.
- E. Install door by placing the box cam over the hinge pintle. Position top of door over upper pilaster hinge and insert hinge pin until flush with top of door.

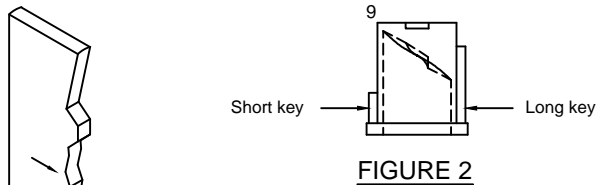


(P/N 40-8513500G) Includes: CHROME PLATED ZAMAC		(P/N 40-8263501G) Includes: STAINLESS STEEL	
PART ID.	DESCRIPTION	QTY	
1	Hinge Top Pilaster Bracket	(1)	
2	Hinge Bushing Nylon	(1)	
3	Nylon Hinge Pin	(1)	
4	Hinge Botom Pilaster Bracket	(1)	
5	Hinge Pintle Nylon	(1)	
6	Hinge Washer Internal	(1)	
7	Hinge Washer External	(1)	
8	Hinge Nut 5/16"	(1)	
9	Box Cam Nylon	(1)	
10	Knob Concealed Latch Male w/ spring washer	(1)	
11	Knob Concealed Latch Female	(1)	
12	Bumper And Coathook	(1)	
13	Vandal Resistant Step Bolts 1 1/4" long	(5)	
14	Vandal Resistant Barrel Nut	(5)	
15	Vandal Resistant S.M.S. 5/8"	(2)	
16	Step Bolt 1/2"	(1)	
17	Latch Concealed Stop And Keeper	(1)	

OUTSWING DOOR HARDWARE PROVIDED FOR OUTSWING DOORS.

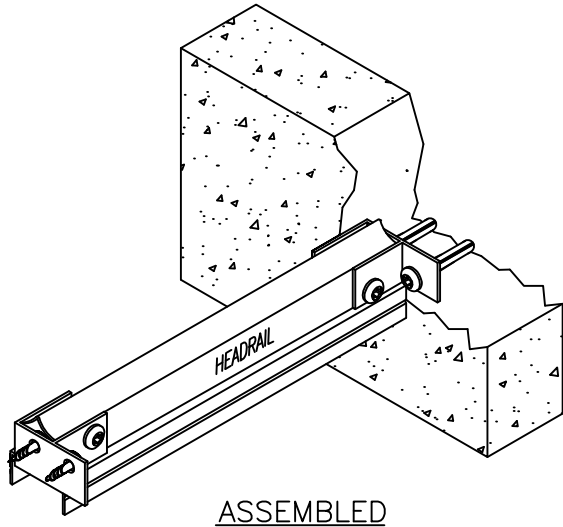
Door Hardware Kit (P/N 40-8513510G) H/C Includes:
CHROME PLATED ZAMAC

PART ID.	DESCRIPTION	QTY
18	ADA Handle	(1)
19	Bumper	(1)
20	St/St Hinge Pin	(1)
21	Pull Handle	(2)
13	Vandal Resistant Step Bolts 1 1/4" long	(4)
22	Vandal Resistant S.M.S. 5/8"	(2)
16	Step Bolt 1/2"	(1)



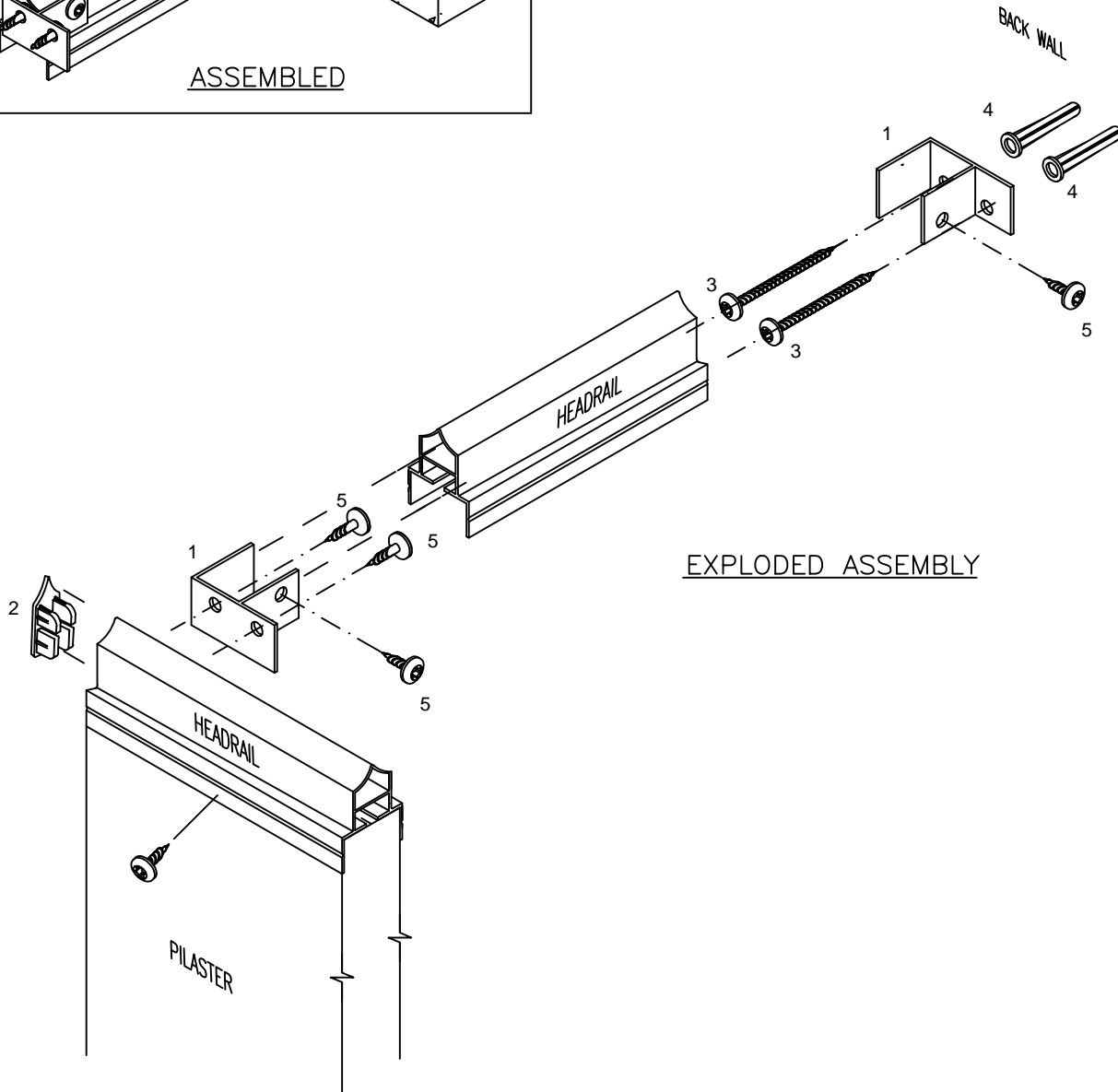
NOTE: When door pulls are used (#21, 13), offset pulls either adjacent to or above and below knobs.

**HEADRAIL
ASSEMBLY**



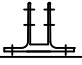



Headrail Hardware Kit (P/N 40-8448100G) Includes:

PART ID.	DESCRIPTION	QTY
1	Headrail Satin "F" Zamac Bracket	(2)
2	Headrail Cap Satin Zamac	(1)
3	Vandal Resistant S/S 2 1/2" S.M.S	(2)
4	Plastic Shield	(2)
5	VandalResistant S/S 5/8" S.M.S	(4)



URINAL SCREEN ASSEMBLY

- A. Before proceeding, confirm that backing of wall is adequate to support and secure mounting of urinal screens. Check dwgs for layout.
- B. Insert anchoring devices in walls and secure wall brackets with 2 1/2" s.m.s.
- C. Place urinal screen on a support, 12" above the floor.
- D. Set U/S into wall brackets and fasten urinal screen at this time, using 5/8" fasteners.

Urinal Screen Hardware Kit (P/N 40-8511281G) Includes: CHROME PLATED ZAMAC		
Urinal Screen Hardware Kit (P/N 40-8261281G) Includes: STAINLESS STEEL		
PART ID.	DESCRIPTION	QTY
1	 Two Ear Wall U/S Bracket	(2)
2	 Vandal Resistant 2 1/2" S.M.S	(4)
3	 Plastic Shields	(4)
4	 Vandal Resistant 5/8" S.M.S	(8)

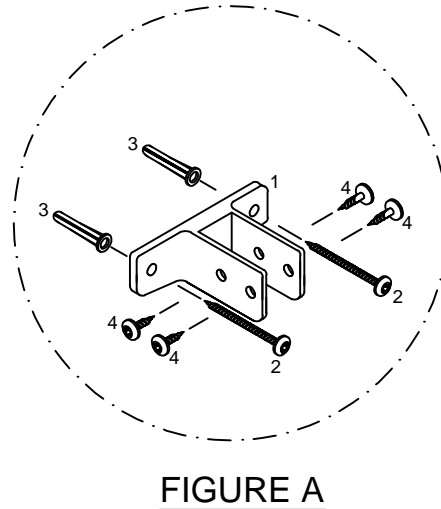
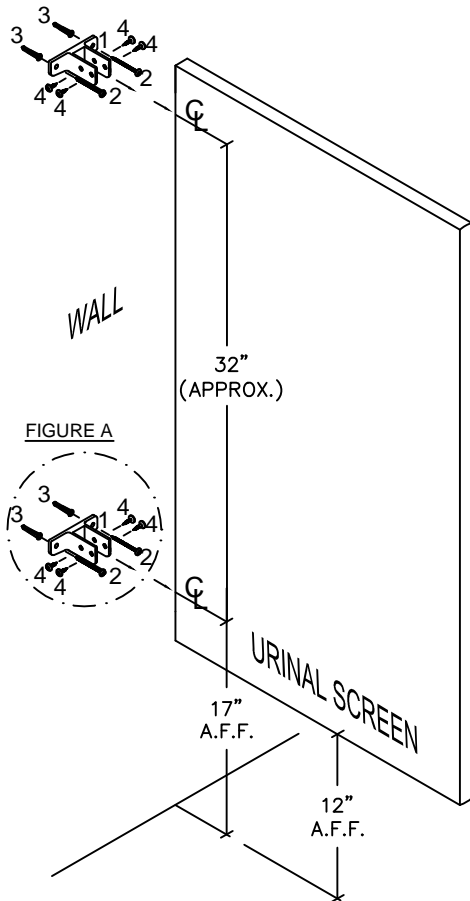
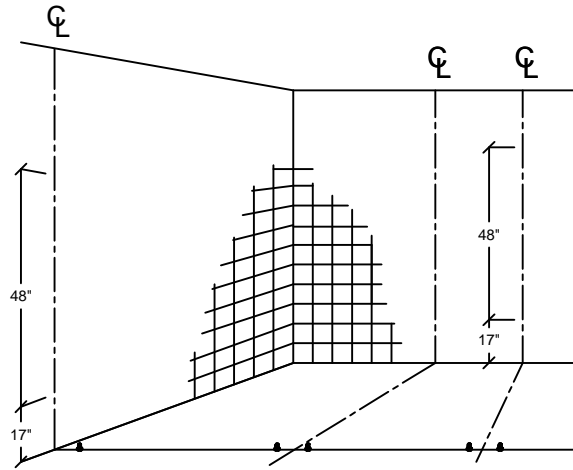


FIGURE 1

**STEP 1
LAYOUT**

NOTE: FLOOR MUST BE CONCRETE.

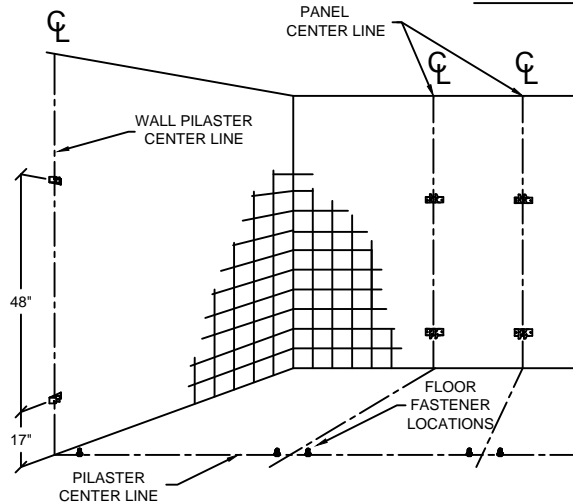
- A. Review the layout drawings and package lists that have accompanied this job.
- B. Before proceeding, confirm that backing of walls and floor is adequate to support secure mounting of the toilet compartment units.
- C. Establish and mark pilaster center line from back wall.
- D. Establish and mark panel center lines for wall brackets.
- E. Establish pilaster floor fastener locations from side wall according to shop drawings. (Note floor fasteners are located 1" from edge of pilaster.)
- F. Mark wall bracket holes using brackets as templates.



**STEP 2
WALL BRACKETS AND FLOOR BRACKETS**

- A. Drill holes for wall brackets of 1/4" and floor fastenings of 3/8" for fastening devices supplied.
- B. Insert anchoring devices in walls and secure wall brackets.
- C. Install wedge anchor with shoe clip washer and nut into concrete floor (min. 2 1/2") and tighten.

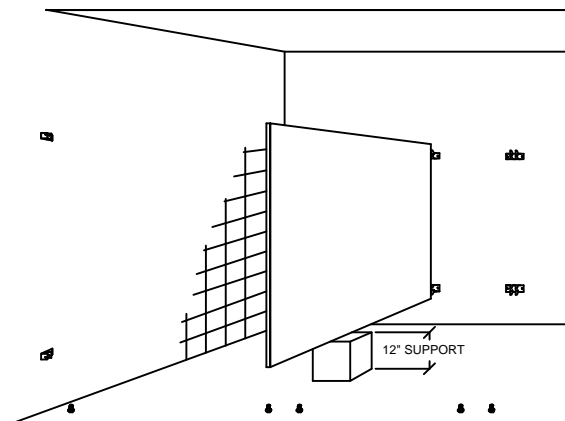
FIGURE 2



**STEP 3
POSITION PANEL**

- A. Place panel on a support, 12" above the floor.
- B. Set it into wall brackets, but do not fasten panel at this time.

FIGURE 3



STEP 4
PILASTER PREPARATION

- A. Align U-brackets in position on rear of pilasters. Refer to layout drawings for placement.
- B. Fasten U-brackets to pilaster with sheet metal screws pre-drilling with 1/8" bit.
- C. Pilasters at wall do not require U-brackets, but should be prepared for wall (and floor fastening) as required by compartment layout.

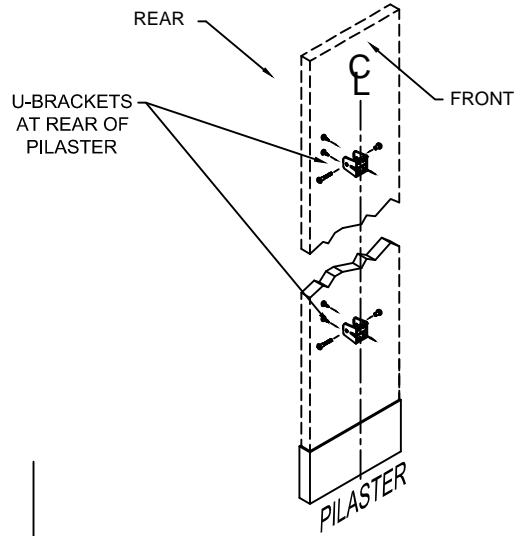


FIGURE 4

STEP 5
INSTALL PILASTERS

- A. On each wedge anchor thread place one shoe clip and 3/8" support nut down to approximately 1" up from floor level and place round washer over each anchor.
- B. Inspect shoe for bowing. Squeeze edges and center of shoe to ensure shoe will not bow away from pilaster faces. Slide stainless steel shoe carefully over mounting end of pilaster and leave approximately 5" above end.
- C. Position pilaster on anchors and secure lightly with flat washers and 3/8" locking nuts.

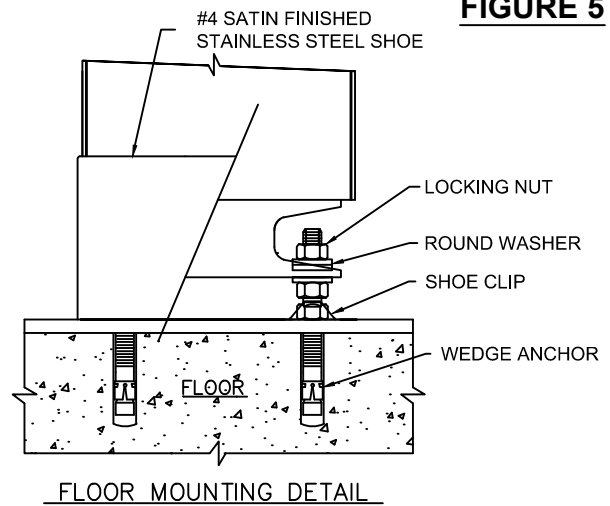


FIGURE 5

STEP 6
SECURING PILASTERS /PANELS

- A. Level each pilaster by adjusting both support nuts to desired position.
- B. Plumb each pilaster and fasten the pilaster to panel with "u" brackets using through bolts or sheet metal screws.
- C. Establish door openings by setting pilaster mounting channel to desired position on anchor.
- D. Tighten locking nuts on top of pilaster mounting channel.
- E. Slide stainless steel shoe down to floor level, firmly engaging shoe clips.
- F. Remove panel support device.

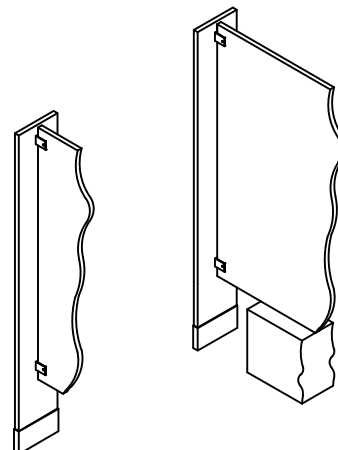


FIGURE 6

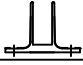
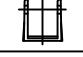



**FLOOR ANCHORED
PANEL TO PILASTER/WALL
TWO EAR ASSEMBLY**

Fasten pilaster to panel using sheet metal screws(Refer to steps 4 & 6)

Pre-drill for screws with 1/8" bit.

Pilasters must be both plumb and level. To assist in leveling, headrail may be lightly positioned across adjacent pilasters(do not fasten at this time)

Remove support device.

Panel Hardware Kit (P/N 40-8515020G) Includes: CHROME PLATED ZAMAC		
Panel Hardware Kit (P/N 40-8265021G) Includes: STAINLESS STEEL		
PART ID.	DESCRIPTION	QTY
1	 Two Ear Bracket	(2)
2	 "U" Bracket	(2)
3	 VandalResistant C/P 2 1/2" S.M.S	(4)
4	 Plastic Shields	(4)
5	 Vandal Resistant C/P 5/8" S.M.S	(12)

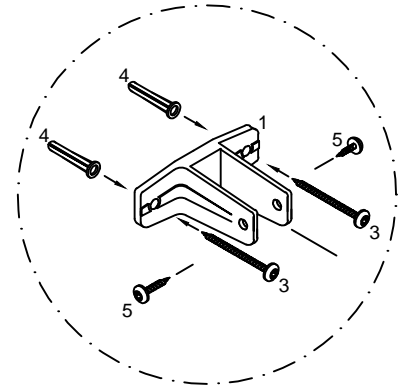
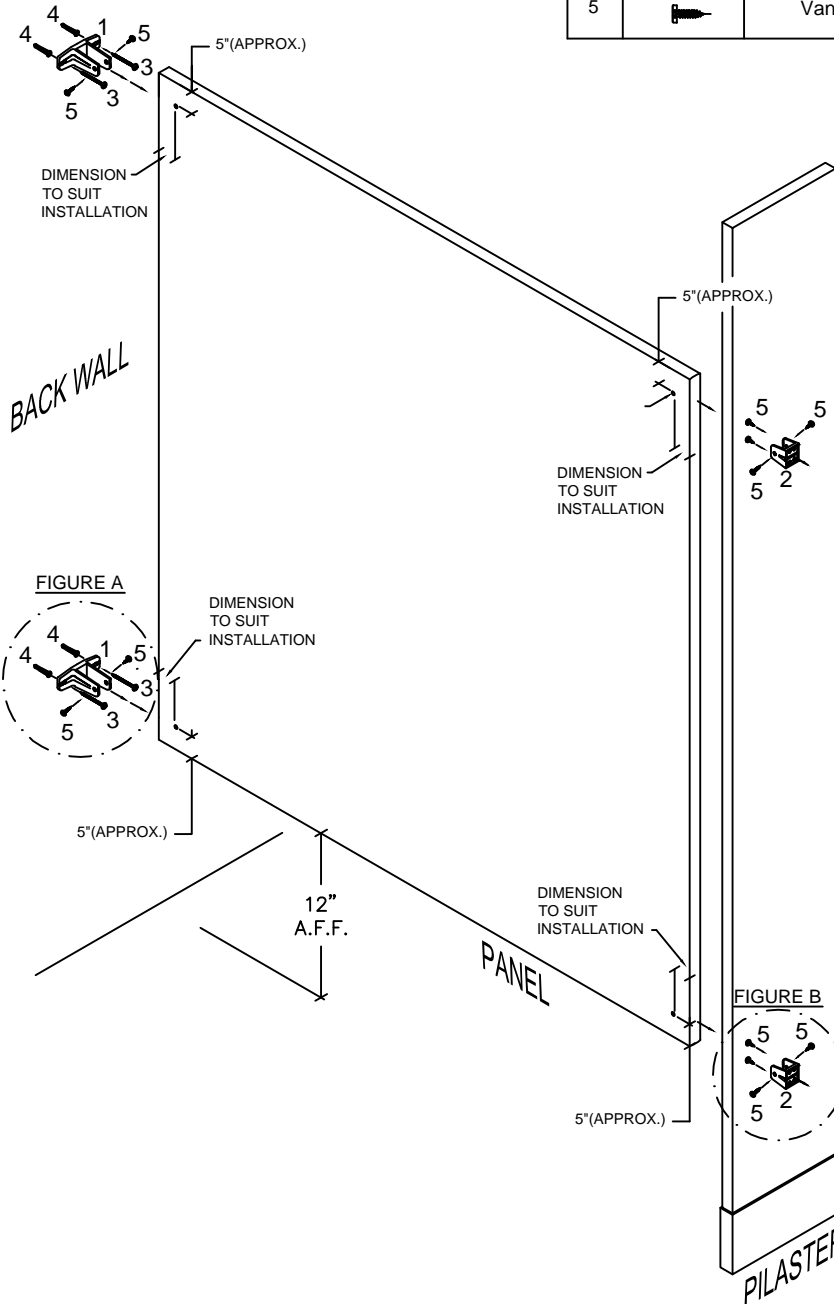
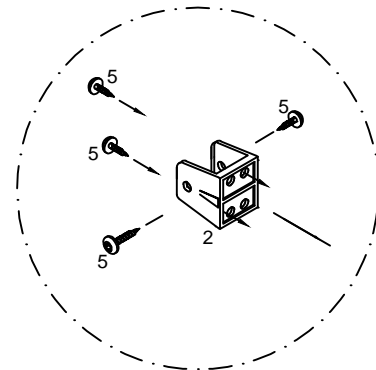


FIGURE A






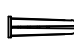

NOTE:
Use Only Two Vandal Resistant 5/8" SMS To Diagonally Fasten U-bracket To Pilaster.

FIGURE B

**FLOOR ANCHORED
PANEL TO PILASTER/WALL
ONE EAR ASSEMBLY**

Pilasters must be both plumb and level.

- A. Plumb pilaster and fasten pilaster to panel using through bolts or sheet metal screws and "U" brackets.
- B. Establish bottom door openings by adjusting pilaster and tightening screws. (Refer to step 4 & 6)
- C. Remove support device.

Panel Hardware Kit (P/N 40-8515010G) Includes: CHROME PLATED ZAMAC		
Panel Hardware Kit (P/N 40-8265011G) Includes: STAINLESS STEEL		
PART ID.	DESCRIPTION	QTY
1	 One Ear Bracket	(2)
2	 "U" Bracket	(2)
3	 Vandal Resistant 2 1/2" S.M.S.	(4)
4	 Plastic Shields	(4)
5	 Vandal Resistant 5/8" S.M.S.	(12)

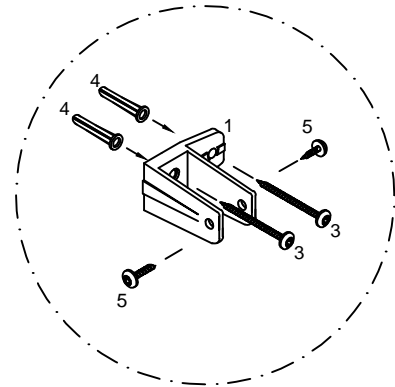
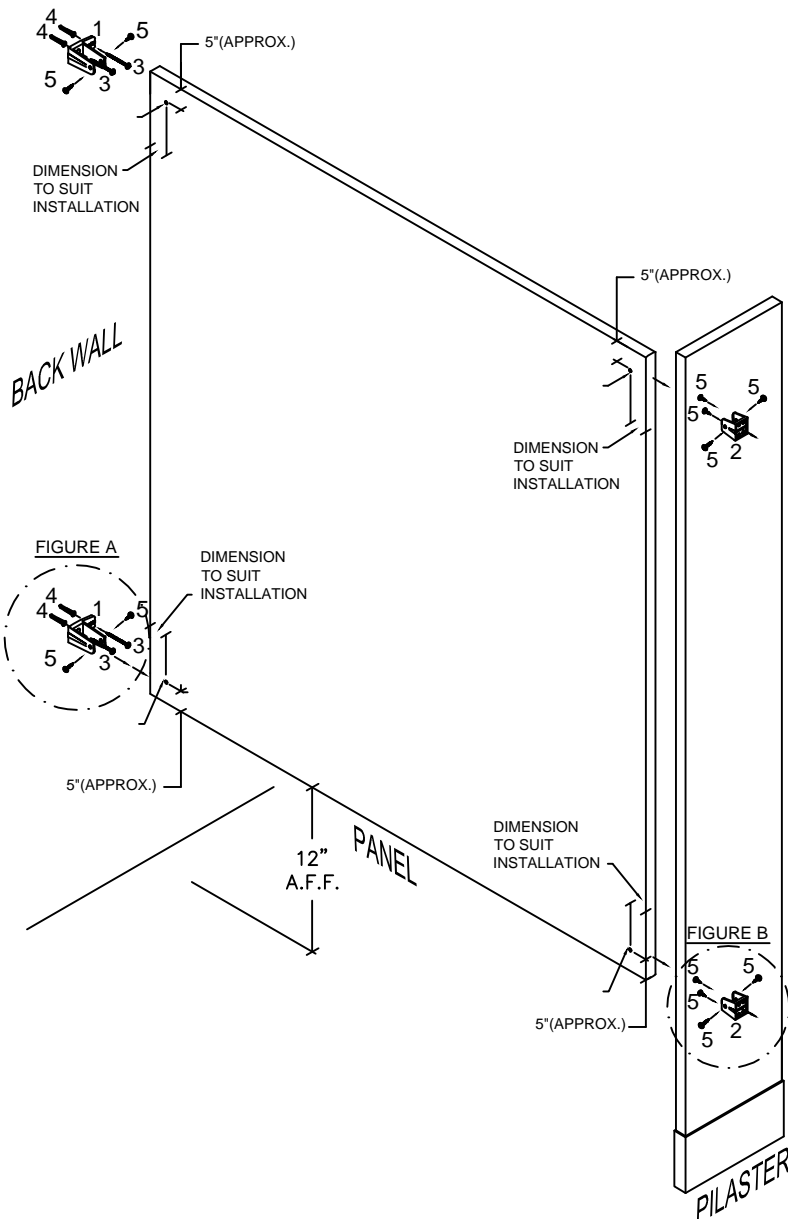
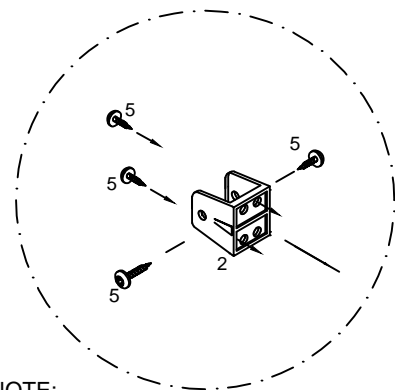


FIGURE A







NOTE:
Use Only Two Vandal resistant 5/8" SMS
To Diagonally Fasten U-bracket To Pilaster.

FIGURE B

**FLOOR ANCHORED
PILASTER/WALL ASSEMBLY**

Pilasters must be both plumb and level.

Pre-drill for screws with 1/8" bit.

Pilaster/Wall Hardware Kit (P/N 40-8515210G) Includes: CHROME PLATED ZAMAC		
Pilaster/Wall Hardware Kit (P/N 40-8265211G) Includes: STAINLESS STEEL		
PART ID.	DESCRIPTION	QTY
1	 One Ear Wall Bracket	(2)
2	 Vandal Resistant 2 1/2" S.M.S	(4)
3	 Plastic Shields	(4)
4	 Vandal Resistant 5/8" S.M.S	(8)

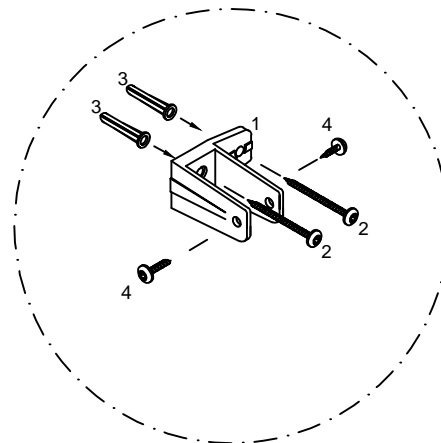
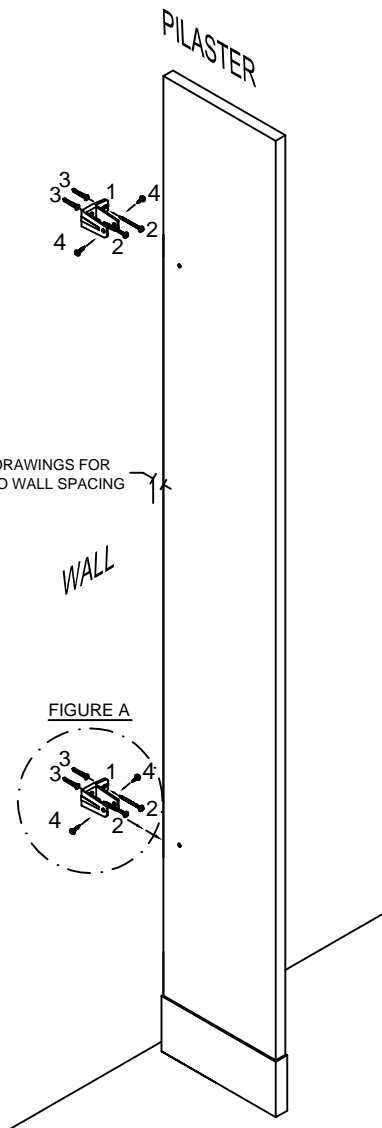
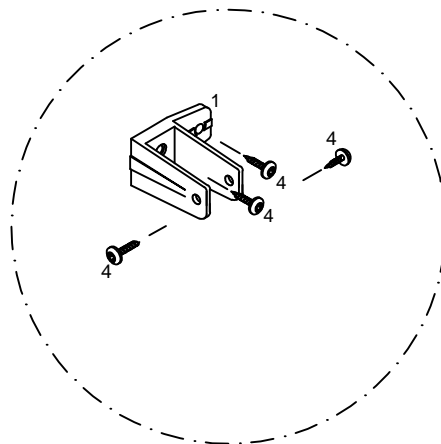


FIGURE A


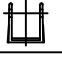

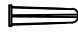




NOTE:
Replace Vandal Resistant 2 1/2" SMS
With Vandal Resistant 5/8" SMS
To Fasten Pilaster To Panel Instead Of Wall.

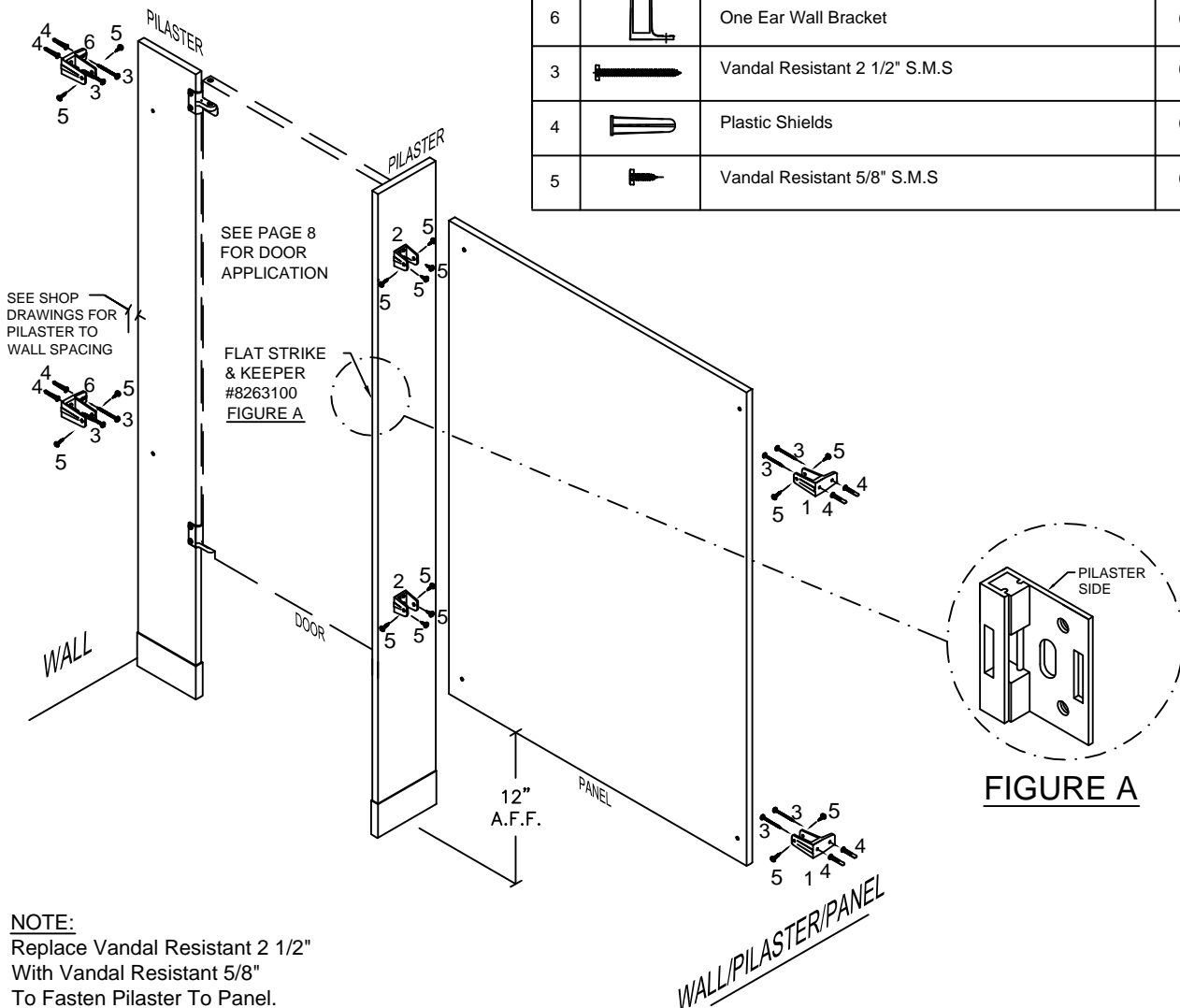
FIGURE B

**FLOOR ANCHORED
PILASTER/PANEL ALCOVE ASSEMBLY**

Note:
Replace P/N#40-8515010G with P/N#40-8515020G for two ear locations.

Panel Hardware Kit (P/N 40-8515010G) Includes: CHROME PLATED ZAMAC		
Panel Hardware Kit (P/N 40-8265011G) Includes: STAINLESS STEEL		
PART ID.	DESCRIPTION	QTY
1	 One Ear Bracket	(2)
2	 "U" Bracket	(2)
3	 Vandal Resistant 2 1/2" S.M.S	(4)
4	 Plastic Shields	(4)
5	 Vandal Resistant 5/8" S.M.S	(12)

Pilaster/Wall Hardware Kit (P/N 40-8515210G) Includes: CHROME PLATED ZAMAC		
Panel Hardware Kit (P/N 40-8265211G) Includes: STAINLESS STEEL		
PART ID.	DESCRIPTION	QTY
6	 One Ear Wall Bracket	(2)
3	 Vandal Resistant 2 1/2" S.M.S	(4)
4	 Plastic Shields	(4)
5	 Vandal Resistant 5/8" S.M.S	(8)

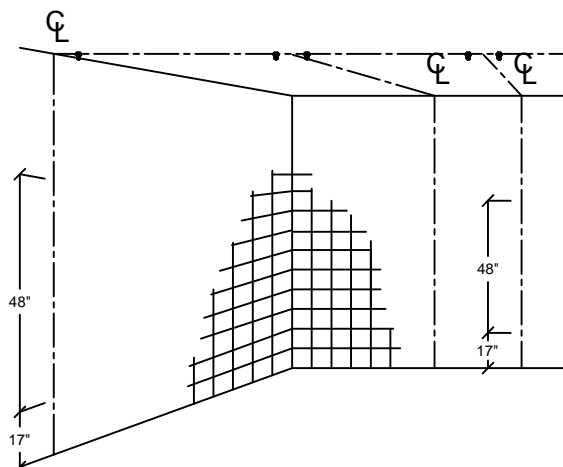


NOTE:
Replace Vandal Resistant 2 1/2"
With Vandal Resistant 5/8"
To Fasten Pilaster To Panel.

STEP 1
LAYOUT
CEILING HUNG

FIGURE 1

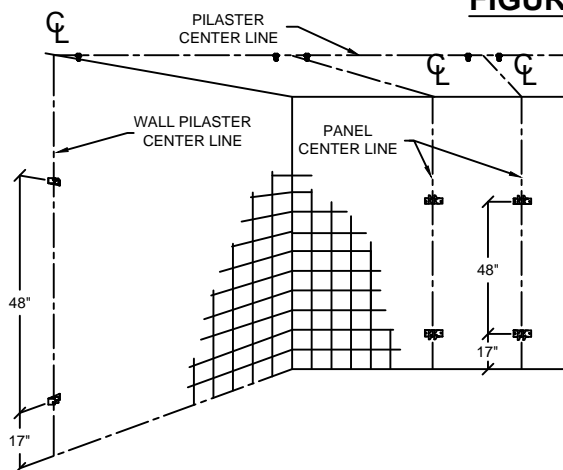
- A. Review the layout drawings and package lists that have accompanied this job.
- B. Top of the finished ceiling and bottom edge of structural support should not exceed 1".
- C. Before proceeding, confirm that backing of wall and ceiling support is adequate to secure mounting of toilet compartment units.
- D. Confirm correct location and condition of threaded ceiling rods. These should project 2" to 2-1/2" below finished ceiling.
- E. Establish and mark pilaster and panel center lines in relation to ceiling rod locations and drawings. Bolts will be located 1" from edge of pilaster
- F. Mark wall bracket holes using brackets as templates.



STEP 2
WALL BRACKETS

FIGURE 2

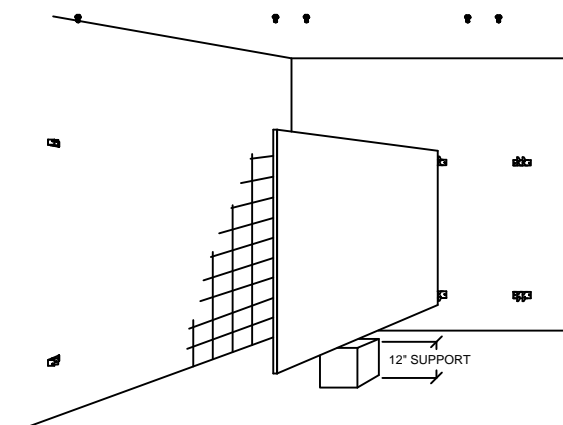
- A. Drill holes for wall brackets of appropriate size for particular fastening devices supplied. Typically 1/4" drill bits can be used throughout.
- B. Insert anchoring devices in walls and secure wall brackets.
- C. Pilaster at wall should be prepared for wall and ceiling fastening as required by compartment layout.



STEP 3
POSITION PANEL

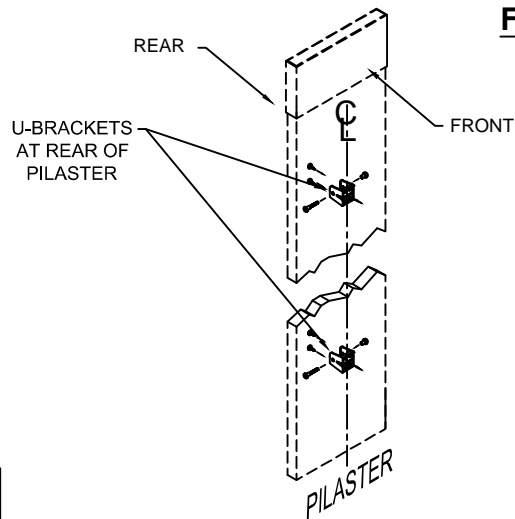
FIGURE 3

- A. Place panel on a support, 12" above the floor.
- B. Set it into wall brackets, but do not fasten panel at this time as it may need to be raised or lowered to sit flush with pilaster bottoms.



STEP 4 **PILASTER PREPARATION**

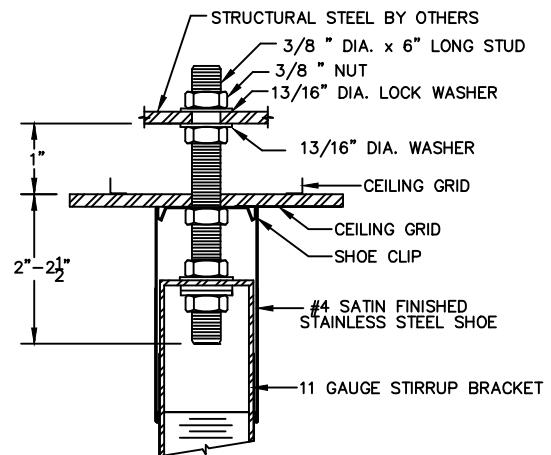
- A. Align U-brackets in position on rear of pilasters. Refer to layout drawings.
- B. Fasten U-brackets to pilaster with sheet metal screws pre-drilling with 1/8" bit.
- C. Pilasters at wall do not require U-brackets.

**FIGURE 4**

STEP 5 **INSTALL PILASTERS**

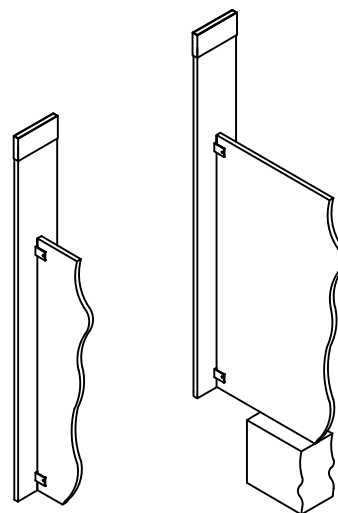
NOTE: STRUCTURAL STEEL BY OTHERS

- A. Slide stainless steel shoe carefully over mounting end of pilaster and leave approximately 5" above bottom end.
- B. Thread support nuts and mounting washers over threaded rods to support pilaster mounting bar.
- C. Position pilaster and mounting channel on threaded rods and attach lightly with square flat washer, lockwasher and locking nut.

**CEILING BOLT DETAIL**

STEP 6 **SECURING PILASTERS TO PANELS**

- A. Level each pilaster by adjusting both support nuts to desired position.
- B. Plumb each pilaster and fasten the pilaster to panel using through bolts or sheet metal screws.
- C. Establish door openings by setting pilaster mounting channel to desired position on stud.
- D. Tighten locking nuts on top of pilaster mounting channel.
- E. Slide stainless steel shoe up to ceiling level, firmly engaging shoe clips.
- F. Fasten panel to wall brackets using through bolts.
- G. Remove panel support device.

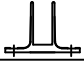
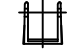



**FIGURE 6**

**CEILING HUNG
PANEL TO PILASTER/WALL
TWO EAR ASSEMBLY**

Fasten pilaster to panel using through bolts with barrel nuts or sheet metal screws.

Pilasters must be both plumb and level.
(do not fasten at this time)

Establish bottom door openings by adjusting
pilaster and tightening screws.(Refer to step 6)

Panel Hardware Kit (P/N 40-8515020G) Includes: CHROME PLATED ZAMAC		
Panel Hardware Kit (P/N 40-8265021G) Includes: STAINLESS STEEL		
PART ID.	DESCRIPTION	QTY
1	 Two Ear Bracket	(2)
2	 "U" Bracket	(2)
3	 Vandal Resistant 2 1/2" S.M.S	(4)
4	 Plastic Shields	(4)
5	 Vandal Resistant 5/8" S.M.S	(12)

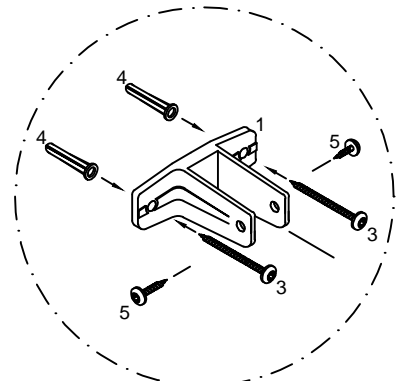
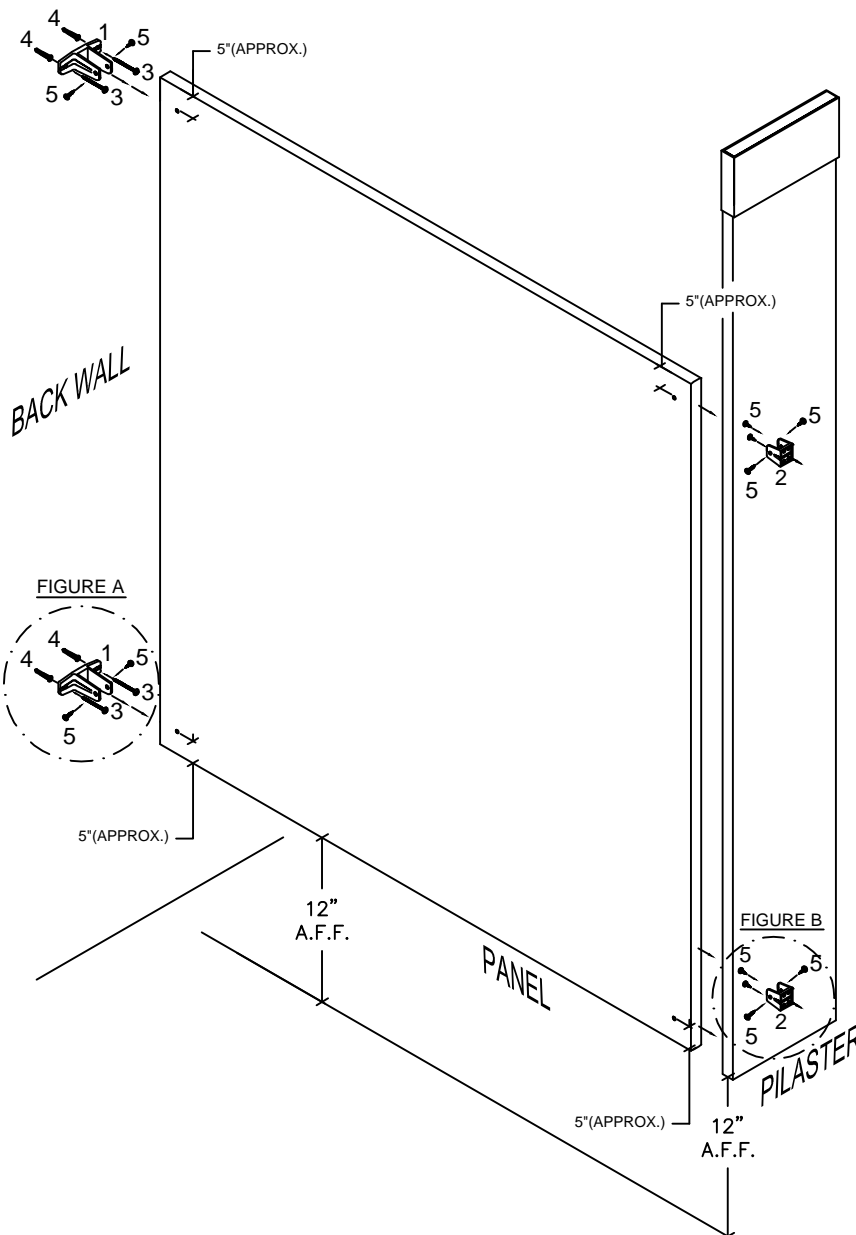


FIGURE A

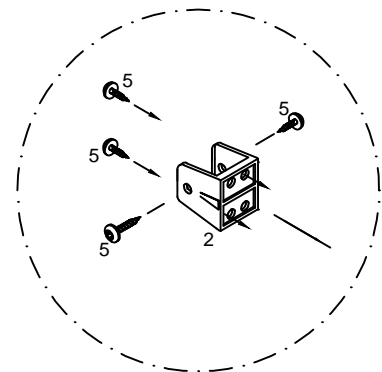


FIGURE B

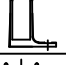
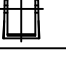


NOTE:
Use Only Two
Vandal resistant 5/8"SMS
To Diagonally Fasten U-bracket To Pilaster.

**CEILING HUNG
PANEL TO PILASTER/WALL
ONE EAR ASSEMBLY**

Fasten pilaster to panel using sheet metal screws.

Pilasters must be both plumb and level.
(do not fasten at this time)

Establish bottom door openings by adjusting pilaster and tightening screws.(Refer to step 6)

Panel Hardware Kit (P/N 40-8515010G) Includes: CHROME PLATED ZAMAC		
Panel Hardware Kit (P/N 40-8265011G) Includes: STAINLESS STEEL		
PART ID.	DESCRIPTION	QTY
1	 One Ear Bracket	(2)
2	 "U" Bracket	(2)
3	 Vandal Resistant 2 1/2" S.M.S	(4)
4	 Plastic Shields	(4)
5	 Vandal Resistant 5/8" S.M.S	(12)

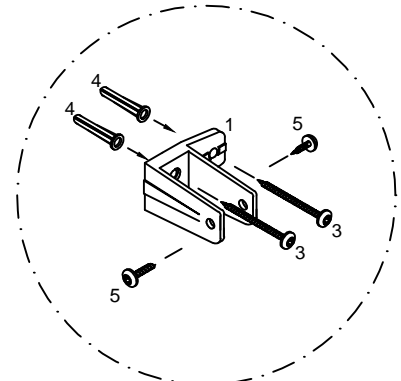
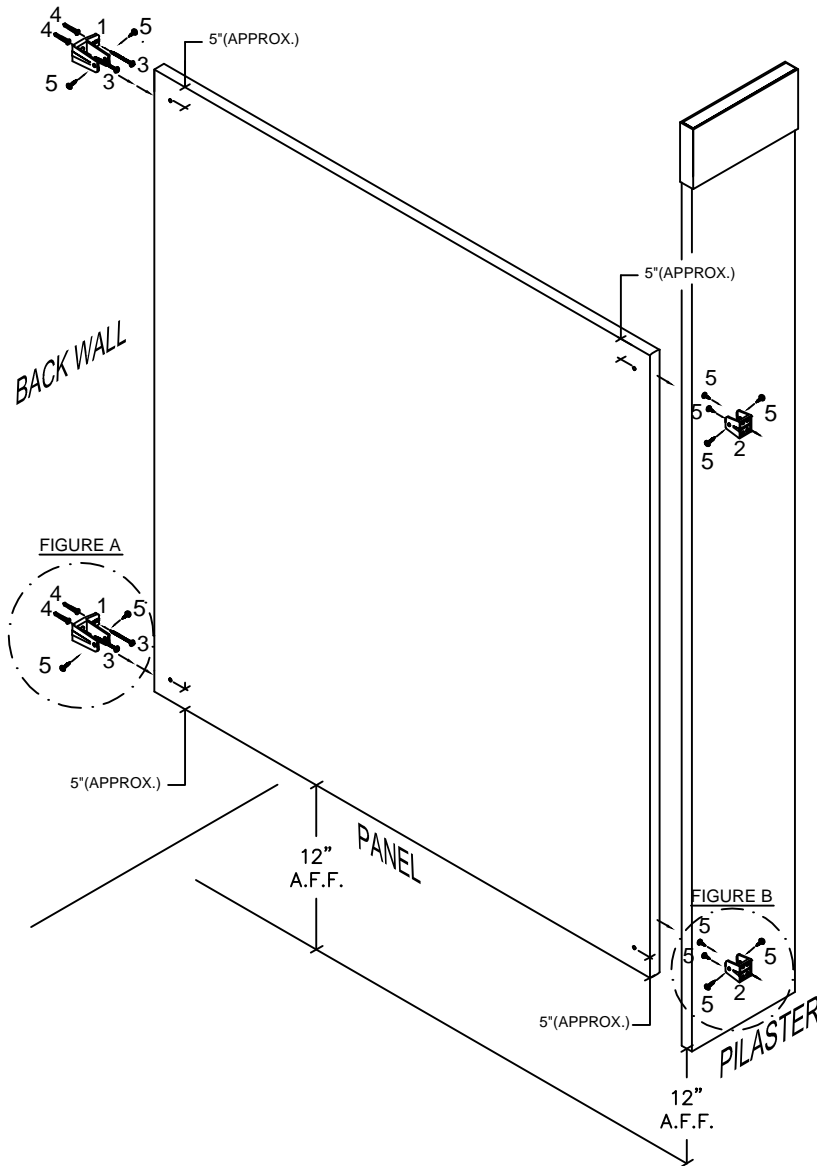
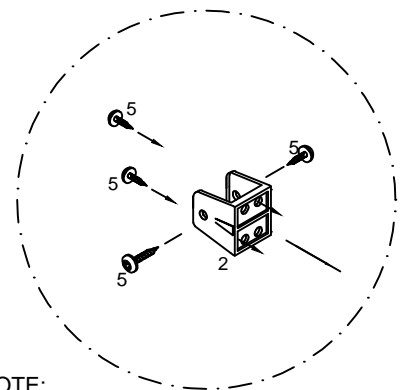


FIGURE A




NOTE:
Use Only Two
Vandal Resistant 5/8" SMS
To Diagonally Fasten U-bracket To Pilaster.

FIGURE B

**CEILING HUNG
PILASTER/WALL
ASSEMBLY**

Pilasters must be both plumb and level.

Pilaster/Wall Hardware Kit (P/N 40-8515210G) Includes: CHROME PLATED ZAMAC		
Pilaster/Wall Hardware Kit (P/N 40-8265211G) Includes: STAINLESS STEEL		
PART ID.	DESCRIPTION	QTY
1	 One Ear Wall Bracket	(2)
2	 Vandal Resistant 2 1/2" S.M.S	(4)
3	 Plastic Shields	(4)
4	 Vandal Resistant 5/8" S.M.S	(8)

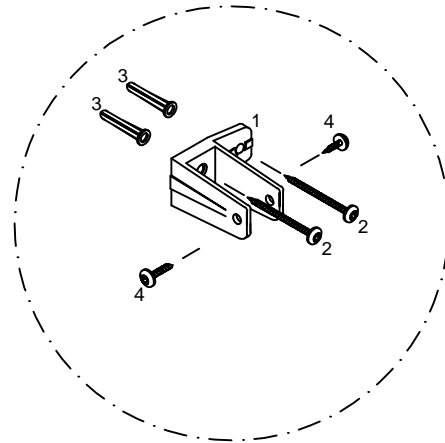
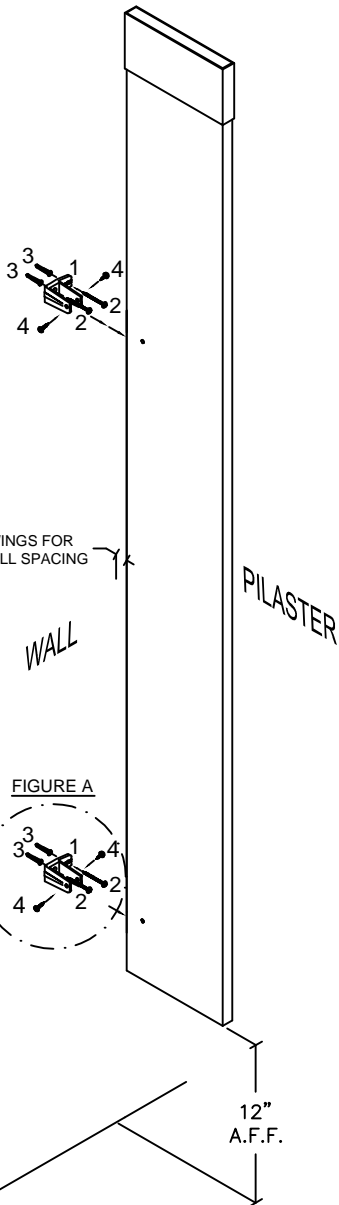
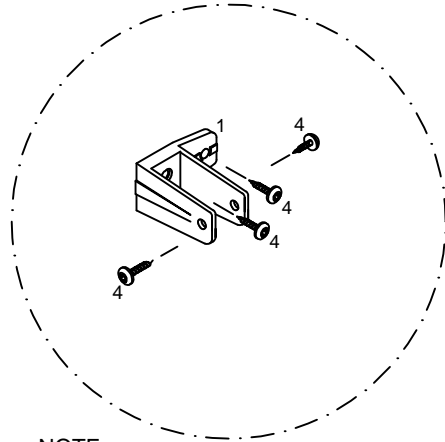



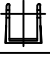



FIGURE A

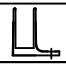





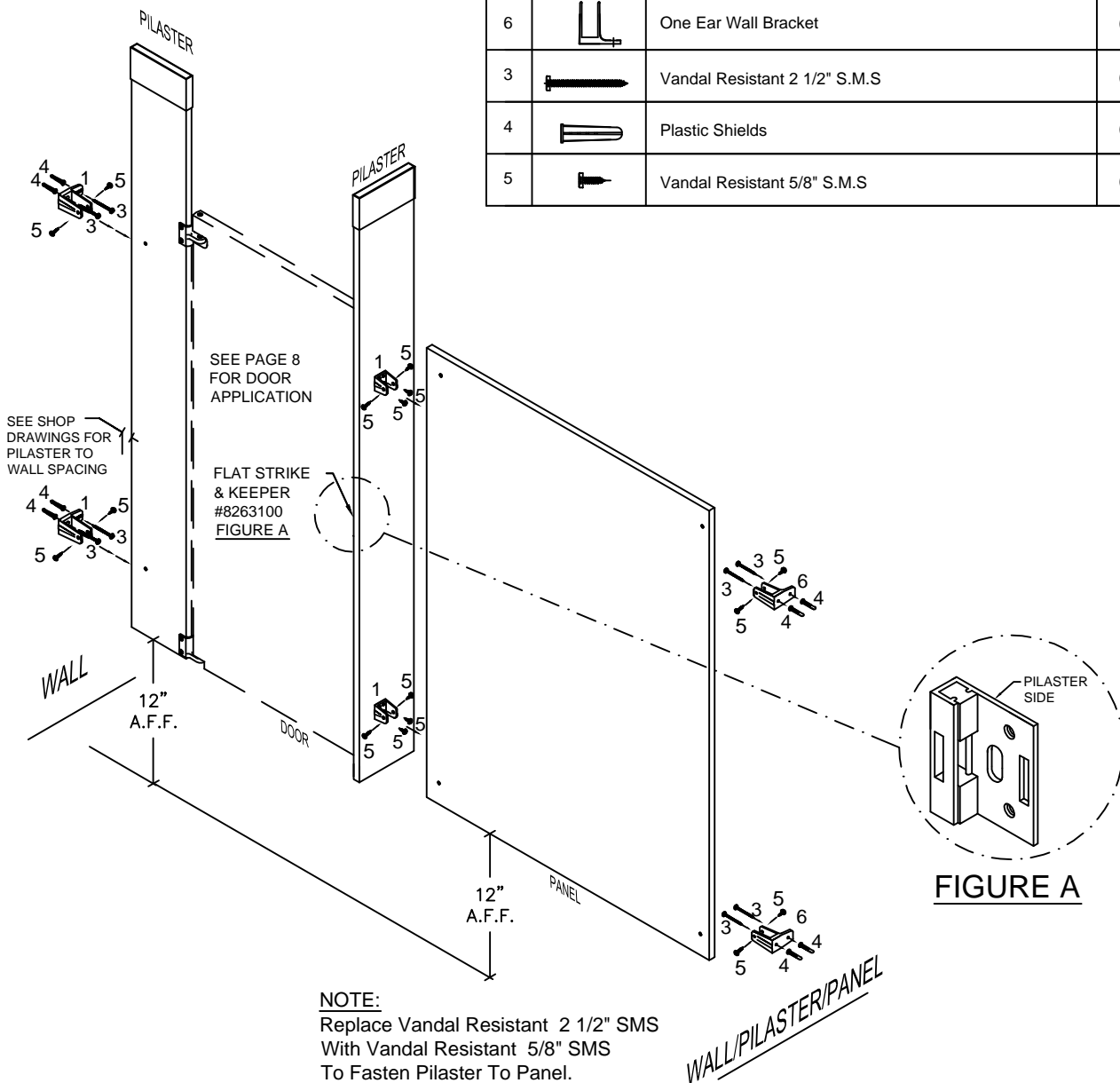
NOTE:
Replace Vandal Resistantt 2 1/2" SMS
With Vandal Resistantt 5/8" SMS
To Fasten Pilaster To Panel.

**CEILING HUNG
PILASTER/PANEL ALCOVE
ASSEMBLY**

Note:
Replace P/N#40-8515010G with P/N#40-8515020G
for two ear locations.

(P/N 40-8515010G) Includes: CHROME PLATED ZAMAC		(P/N 40-8265011G) Includes: STAINLESS STEEL	
PART ID.	DESCRIPTION	QTY	
1	 One Ear Bracket	(2)	
2	 "U" Bracket	(2)	
3	 Vandal Resistant 2 1/2" S.M.S	(4)	
4	 Plastic Shields	(4)	
5	 Vandal Resistant 5/8" S.M.S	(12)	

(P/N 40-8515210G) Includes: CHROME PLATED ZAMAC		(P/N 40-8265211G) Includes: STAINLESS STEEL	
PART ID.	DESCRIPTION	QTY	
6	 One Ear Wall Bracket	(2)	
3	 Vandal Resistant 2 1/2" S.M.S	(4)	
4	 Plastic Shields	(4)	
5	 Vandal Resistant 5/8" S.M.S	(8)	



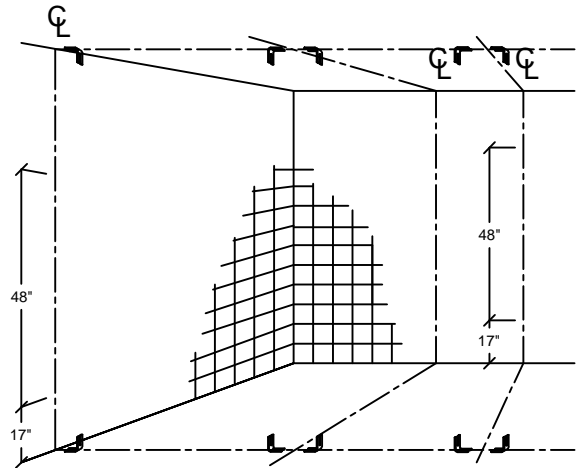
NOTE:
Replace Vandal Resistant 2 1/2" SMS
With Vandal Resistant 5/8" SMS
To Fasten Pilaster To Panel.

**STEP 1
LAYOUT**

FIGURE 1

FLOOR AND CEILING ANCHORED

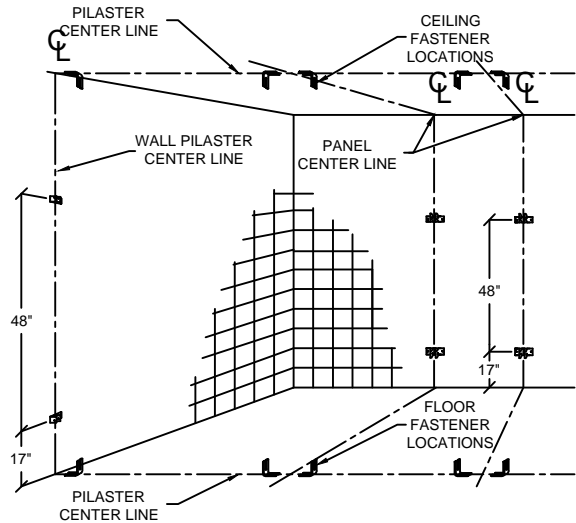
- A. Review the layout drawings and package lists that have accompanied this job.
- B. Before proceeding, confirm that backing of walls and floor is adequate to support secure mounting of the toilet compartment units.
- C. Establish and mark pilaster center line from back wall.
- D. Establish and mark panel center lines for wall brackets.
- E. Establish pilaster floor and ceiling fastener locations from side wall according to shop drawings. (Note fasteners are located roughly 1" from lockstrip edge of pilaster.)
- F. Mark wall bracket holes using brackets as templates.



**STEP 2
WALL BRACKETS AND FLOOR BRACKETS**

FIGURE 2

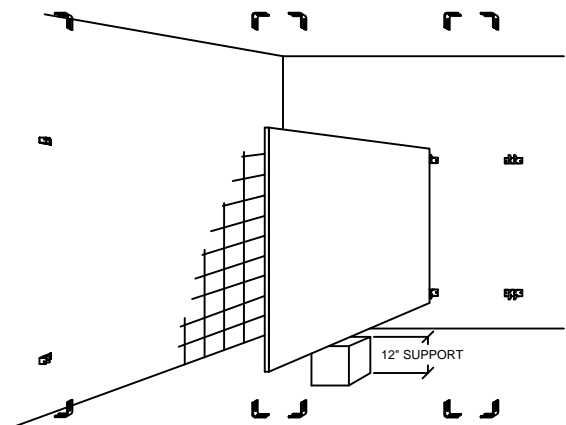
- A. Drill holes for wall brackets and floor fastenings of appropriate size for particular fastening devices supplied. Typically 1/4" drill bits can be used throughout.
 - B. Insert anchoring devices in walls and secure wall brackets.
 - C. Insert anchors and ceiling bolts.
Position shoe clips and "L" brackets.
Details in STEP 5.
- (Note ceiling "L" brackets engraved for identification)



**STEP 3
POSITION PANEL**

FIGURE 3

- A. Place panel on a support, 12" above the floor.
- B. Set it into wall brackets, but do not fasten panel at this time.



**STEP 4
PILASTER PREPARATION**

- A. Align U-brackets in position on rear of pilasters. Refer to layout drawings.
- B. Fasten U-brackets to pilaster with sheet metal screws.
- C. Pilasters at wall do not require U-brackets, but should be prepared for wall (floor & ceiling fastening) as required by compartment layout.

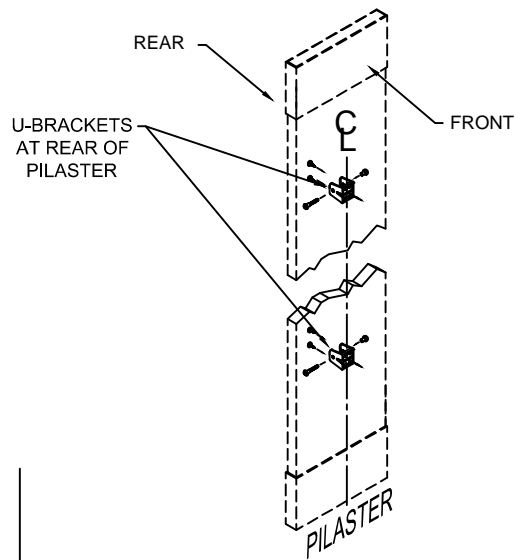


FIGURE 4

**STEP 5
INSTALL PILASTERS**

NOTE:
STRUCTURAL STEEL BY OTHERS

- A. Slide stainless steel shoes carefully over mounting ends of pilaster and leave approximately 5" space from end.
- B. Place pilaster between "L" brackets adjust jack leveling bolt and fasten loosely with screws at predrilled locations at each side.

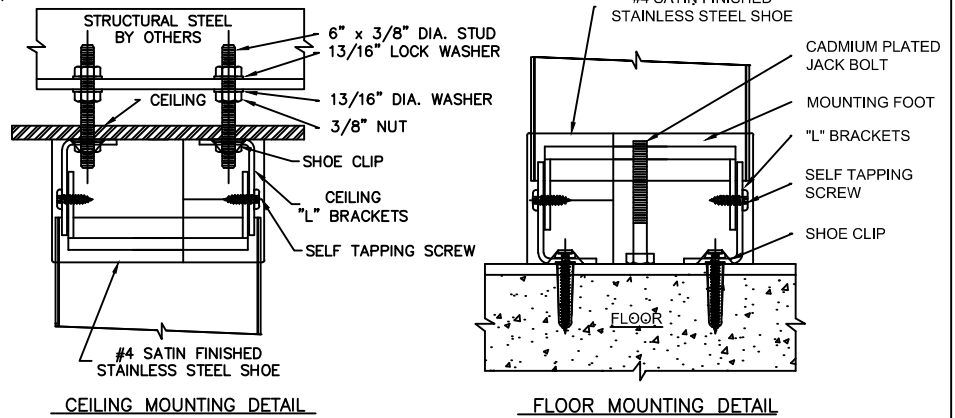


FIGURE 5

**STEP 6
SECURING PILASTERS TO PANELS**

- A. Plumb each pilaster by adjusting self tapping screws at top & bottom to desired position & tighten.
- B. Fasten the pilaster to panel using sheet metal screws.
- C. Establish door openings by setting pilaster to desired position. (Refer to layout drawings)
- D. Slide stainless steel shoe up to ceiling level & down to floor level, firmly engaging shoe clips.
- E. Fasten panel to wall brackets using sheet metal screws.
- F. Remove panel support device.

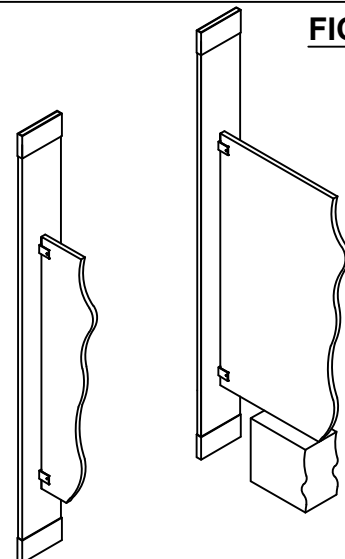







FIGURE 6

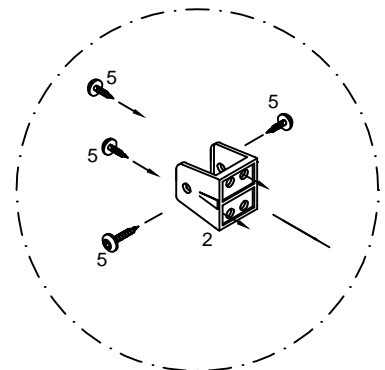
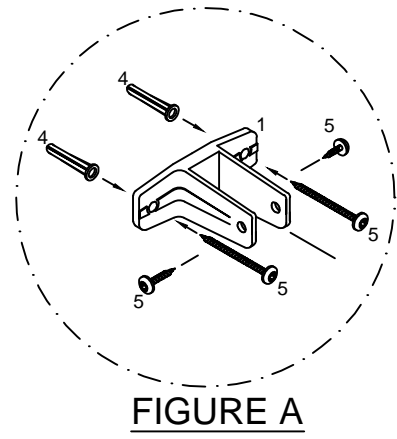
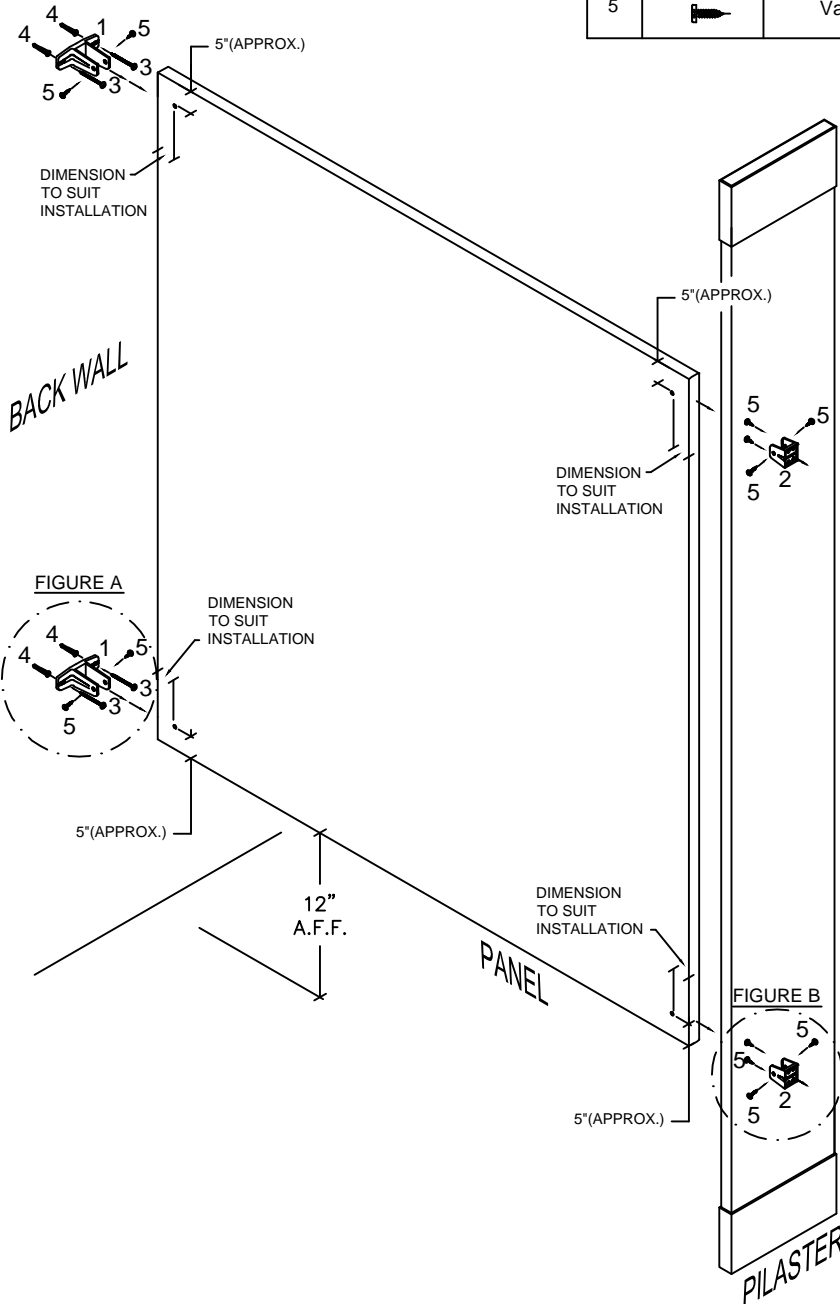
**FLOOR AND CEILING ANCHORED
PANEL TO PILASTER/WALL
TWO EAR ASSEMBLY**

Fasten pilaster to panel using sheet metal screws.

Pilasters must be both plumb and level.
(do not fasten at this time)

Establish bottom door openings by adjusting
pilaster and tightening screws.(Refer to step 6)

Panel Hardware Kit (P/N 40-8515020G) Includes: CHROME PLATED ZAMAC		
Panel Hardware Kit (P/N 40-8265021G) Includes: STAINLESS STEEL		
PART ID.	DESCRIPTION	QTY
1	 Two Ear Bracket	(2)
2	 "U" Bracket	(2)
3	 Vandal Resistant C/P 2 1/2" S.M.S	(4)
4	 Plastic Shields	(4)
5	 Vandal Resistant C/P 5/8" S.M.S	(12)



NOTE:
Use Only Two
Vandal Resistant 5/8" SMS
To Diagonally Fasten U-bracket To Pilaster.


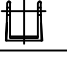

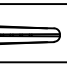

FIGURE B

**FLOOR AND CEILING ANCHORED
PANEL TO PILASTER/WALL
ONE EAR ASSEMBLY**

Fasten pilaster to panel using sheet metal screws.

Pilasters must be both plumb and level.
(do not fasten at this time)

Establish bottom door openings by adjusting
pilaster and tightening screws.(Refer to step 6)

Panel Hardware Kit (P/N 40-8515010G) Includes: CHROME PLATED ZAMAC		
Panel Hardware Kit (P/N 40-8265011G) Includes: STAINLESS STEEL		
PART ID.	DESCRIPTION	QTY
1	 One Ear Bracket	(2)
2	 "U" Bracket	(2)
3	 Vandal Resistant 2 1/2" S.M.S	(4)
4	 Plastic Shields	(4)
5	 Vandal Resistant 5/8" S.M.S	(12)

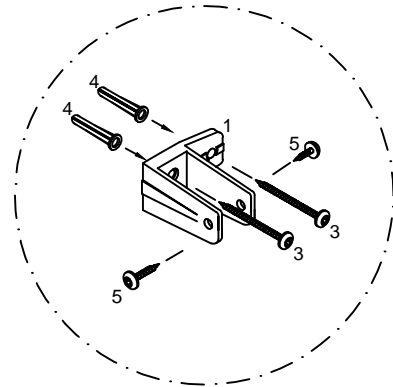
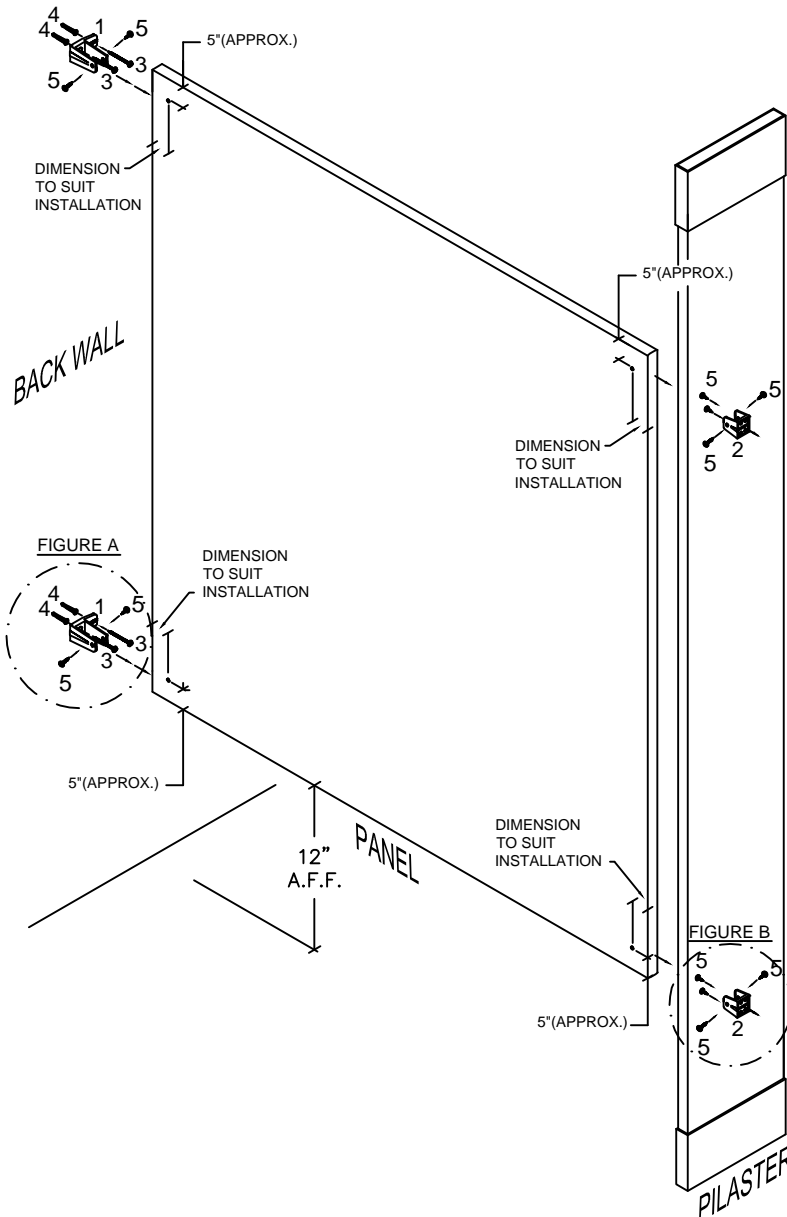
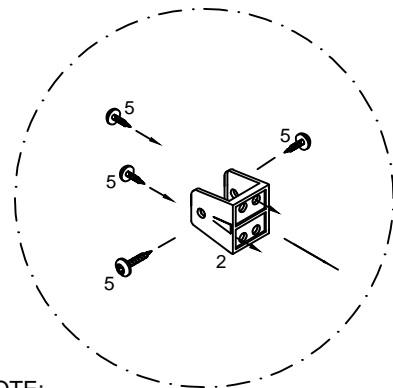


FIGURE A



NOTE:
Use Only Two Vandal Resistant 5/8"
To Diagonally Fasten U-bracket To Pilaster.





FIGURE B

**FLOOR AND CEILING ANCHORED
PILASTER/WALL
ASSEMBLY**

Fasten pilaster to panel using sheet metal screws.

Pilasters must be both plumb and level.
(do not fasten at this time)

Establish bottom door openings by adjusting
pilaster and tightening screws.(Refer to step 6)

Pilaster/Wall Hardware Kit (P/N 40-8515210G) Includes: CHROME PLATED ZAMAC		
Pilaster/Wall Hardware Kit (P/N 40-8265211G) Includes: STAINLESS STEEL		
PART ID.	DESCRIPTION	QTY
1	 One Ear Wall Bracket	(2)
2	 Vandal Resistant 2 1/2" S.M.S	(4)
3	 Plastic Shields	(4)
4	 Vandal Resistant 5/8" S.M.S	(8)

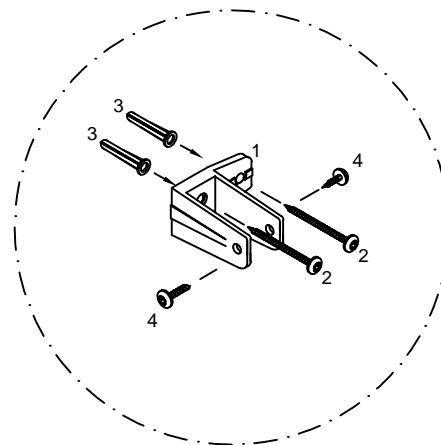
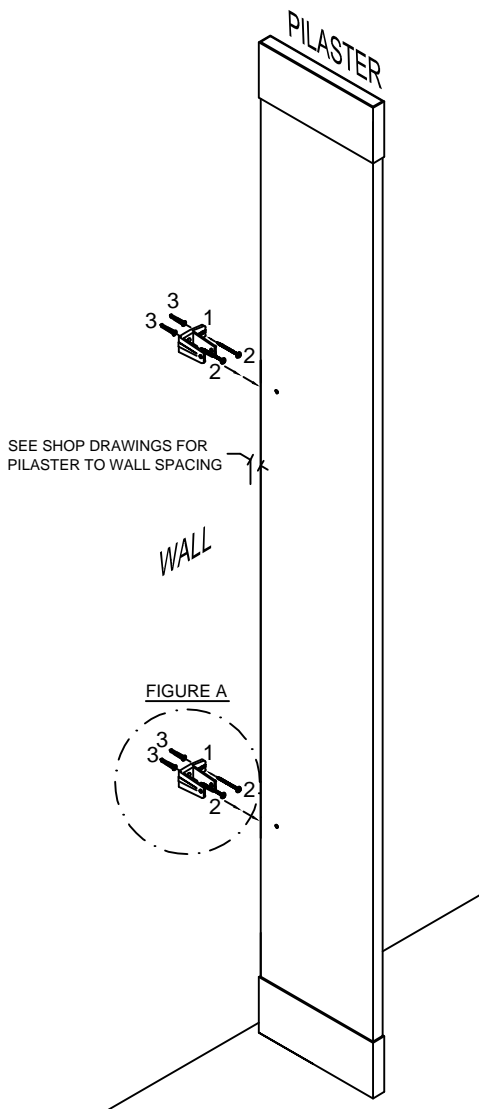
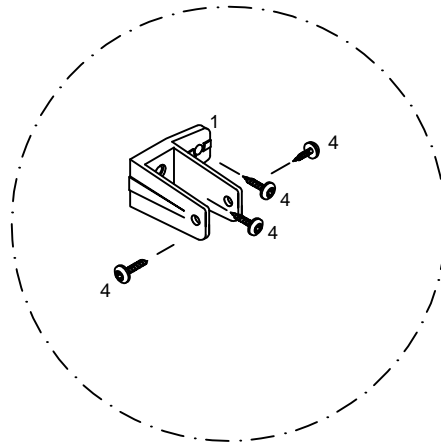


FIGURE A





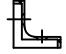





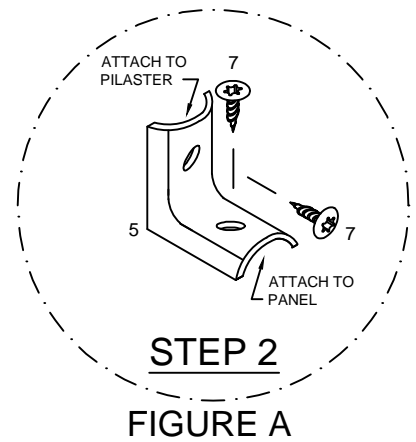
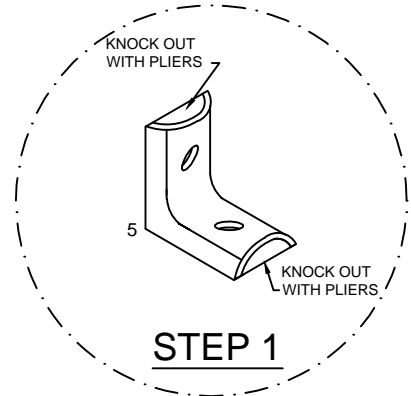
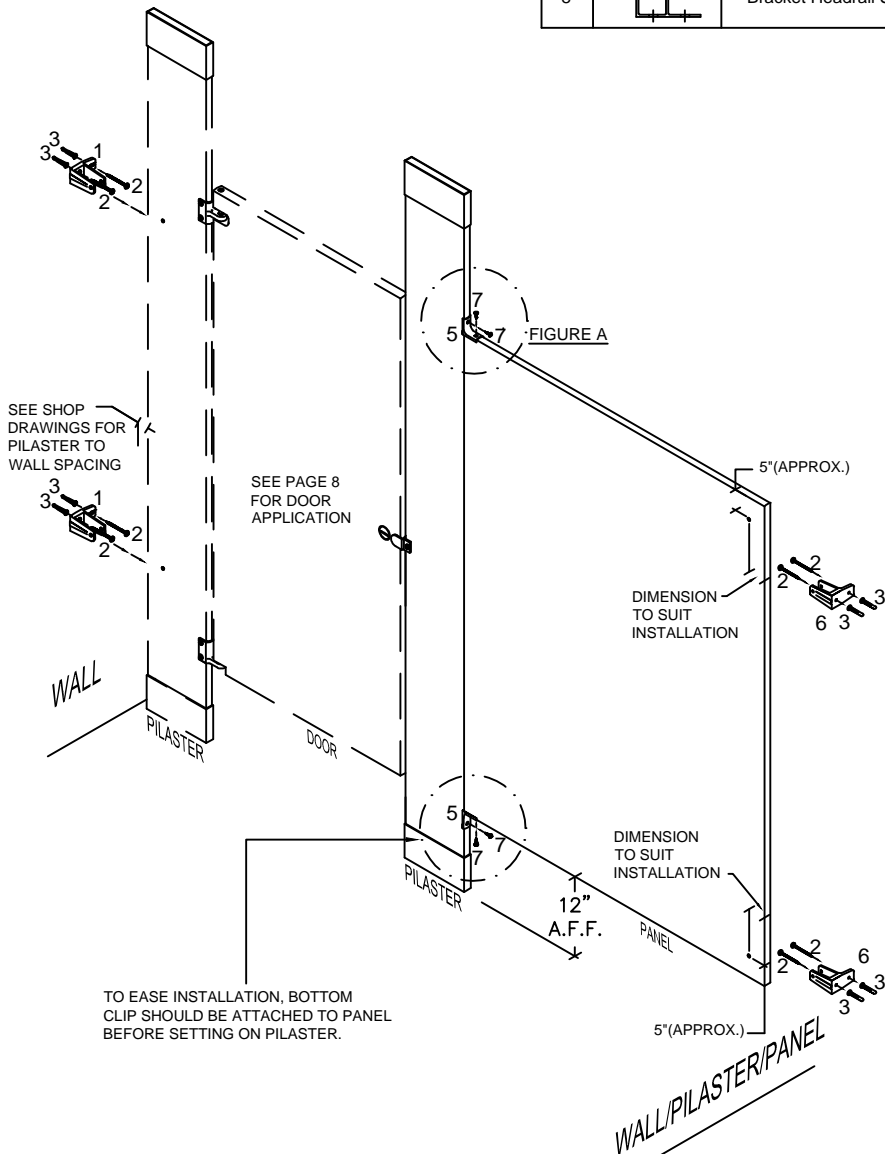
ALTERNATE

NOTE:
Replace vandal Resistant 2 1/2" SMS
With Tamper Resistant 5/8" SMS
To Fasten **Pilaster To Panel.**





**FLOOR AND CEILING ANCHORED
PILASTER/PANEL ALCOVE
ASSEMBLY**

NOTE: Use 40-8517320G for two ear alcove.

Alcove Hardware Kit (P/N 40-8517310G) Includes: CHROME PLATED ZAMAC		
Alcove Hardware Kit (P/N 40-8267311G) Includes: STAINLESS STEEL		
PART ID.	DESCRIPTION	QTY
1	 1 1/4" One Ear Wall Bracket	(2)
2	 Vandal Resistant 2 1/2" S.M.S	(10)
3	 Plastic Shields	(10)
4	 Vandal Resistant 5/8" S.M.S	(14)
5	 Alcove Clip	(2)
6	 1" One Ear Wall Bracket	(2)
7	 Vandal Resistant 1" S.M.S	(4)
8	 Bracket Headrail Satin "F" Zamac (NOT USED FOR FTC)	(1)



**FLOOR AND CEILING ANCHORED
PILASTER/PANEL/PILASTER INLINE
ASSEMBLY**

Alcove Hardware Kit (P/N 8517030) Includes: CHROME PLATED ZAMAC			
PART ID.		DESCRIPTION	QTY
1		Alcove Clips	(12)
2		Vandal Resistant Step Bolts 1" Long	(12)
3		Vandal Resistant Barrel Nut	(12)
4		Vandal Resistant 5/8" S.M.S	(12)

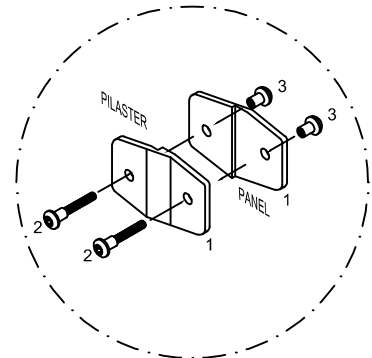
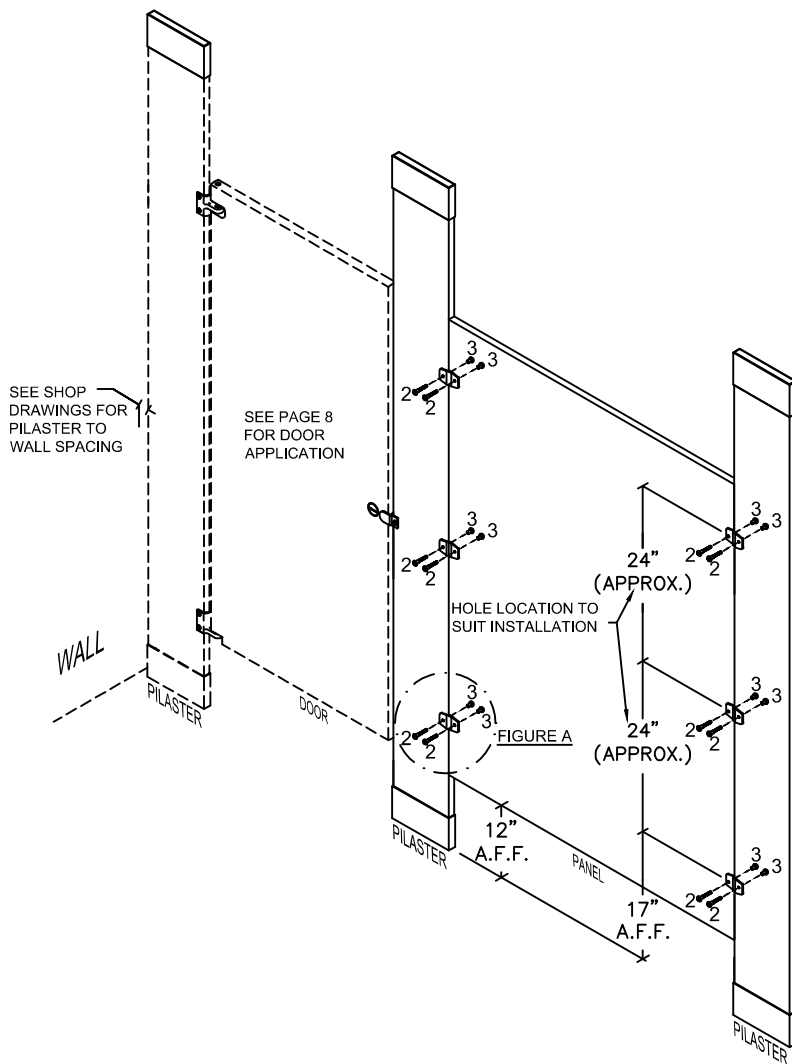
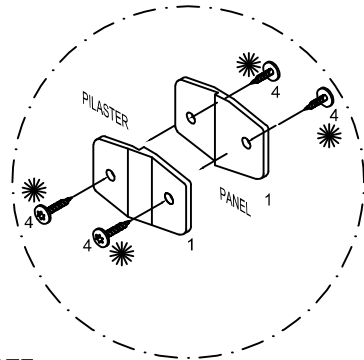


FIGURE A



NOTE:
Offset brackets for screw clearance


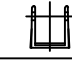





OPTIONAL

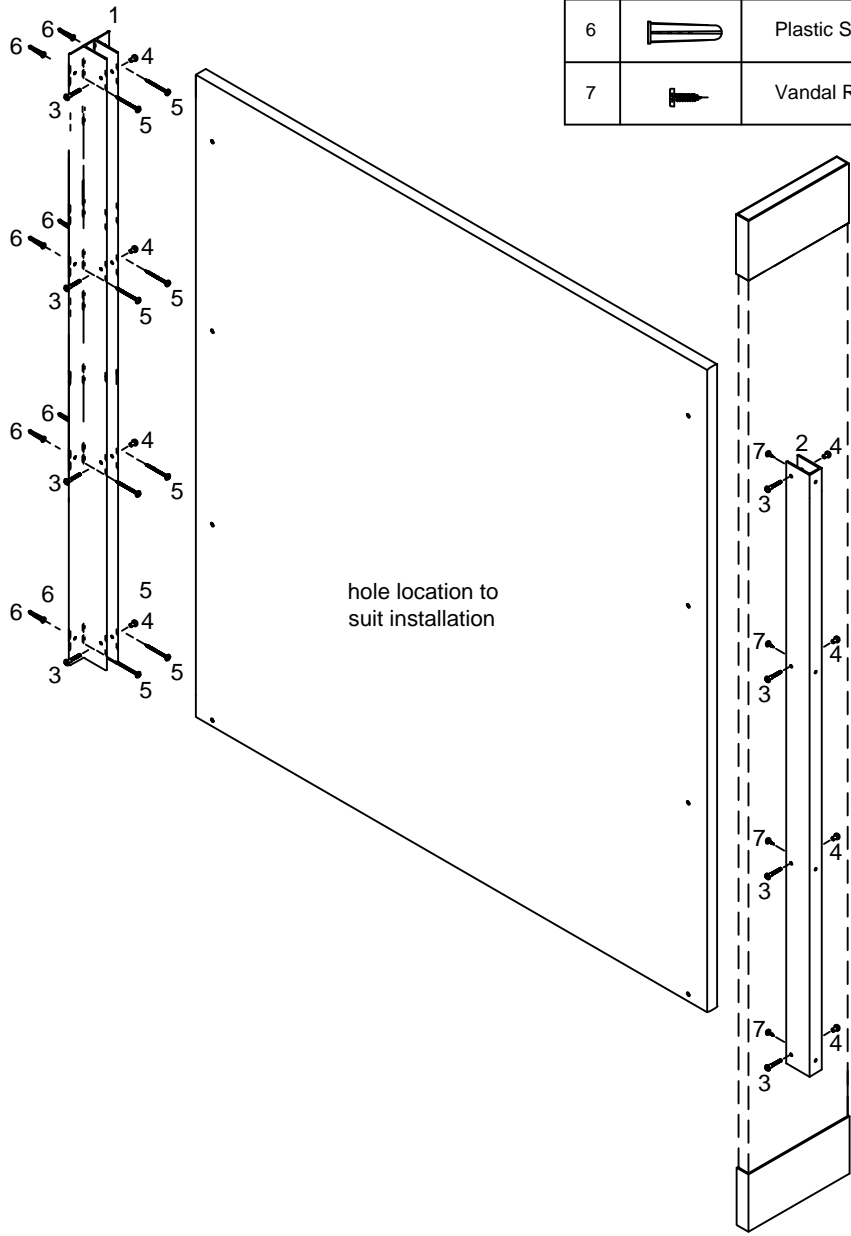
☼ **OPTIONAL**
Two Vandal Resistant 5/8" SMS
May be Used (But Not Recommended)
To Fasten brackets To Panel.

NOTE:
Replace Vandal Resistant 2 1/2" SMS
With Vandal Resistant 5/8" SMS
To Fasten Pilaster To Panel.

**OPTIONAL FULL HEIGHT
PANEL TO PILASTER/WALL
TWO EAR ASSEMBLY**

Optional Panel Kit (P/N 8XX 6010)
Includes:(1) Ear Bracket

Panel Hardware Kit (P/N 8446020) Includes: ALUMINUM FULL HEIGHT		
Panel Hardware Kit (P/N 8266020) Includes: STAINLESS FULL HEIGHT		
PART ID.	DESCRIPTION	QTY
1	 Two Ear Bracket	(1)
2	 "U" Bracket	(1)
3	 Vandal Resistant Step Bolts 1" Long	(12)
4	 Vandal Resistant Barrel Nut	(12)
5	 Vandal Resistant 2 1/2" S.M.S	(12)
6	 Plastic Shields	(12)
7	 Vandal Resistant 5/8" S.M.S	(12)



CARE AND MAINTENANCE OF TOILET PARTITIONS

In order to provide toilet partitions with the care and maintenance, the following instructions must be followed.

A. All surfaces must be kept clean with water and a mild soap solution only.

B. In order to provide toilet partitions with the proper care and maintenance, the above instructions must be followed.

WARNING

Under no circumstances should these components be subjected to:

*Abrasive powders or pads

*Water closet cleaners

*Ceramic tile cleaners

*Solutions containing more than 1% by volume of ammonia

*Solutions containing acids or lye

*Solutions containing enzymes

Attention to work progress during new construction or renovation is important.

Other trades and cleaning services may use agents for ceramics and tiles that will damage these components