

**POWDER COATED METAL
FLOOR AND CEILING ANCHORED TOILET COMPARTMENTS**



PART-1 GENERAL

1.01 DESCRIPTION

- A. Steel compartment work includes the following:
 - 1. Floor and ceiling anchored partitions.
- B. Furnish all labor and materials necessary for the completion of work in this section as shown on the contract drawings and specified herein.
- C. Work in this section shall include but is not limited to:
 - 1. Toilet compartments
 - 2. Hardware for toilet compartments
 - 3. Shop drawings and working drawings
 - 4. Manufacturer's guarantee
- D. Related work specified elsewhere shall include accessories and anchorage/blocking for attachment of compartments.

1.02 PRODUCTS

- A. Submittal of shop drawings and details, for architect's approval.
- B. Colors shall be selected from the manufacturer's standard range of colors.
- C. Color and hardware samples shall be submitted for approval to the architect upon request.

PART-2 PRODUCTS

2.01 MANUFACTURER

- A. Toilet compartments to be supplied by Global Partitions, Eastanollee, GA 30538.

2.02 MATERIALS

- A. Doors and panels shall be 1" thick, constructed of two sheets of 22-gauge galvanized, stretcher leveled quality steel formed and bonded under pressure with a non-toxic adhesive to a resin-impregnated, sound deadening, honeycomb core.
- B. Pilasters shall be 1-1/4", constructed of two sheets of 22-gauge galvanized stretcher leveled quality steel, formed and bonded under pressure with a non-toxic adhesive to a resin-impregnated, sound-deadening full-face honeycomb core.

2.03 CONSTRUCTION

- A. Doors and panels shall be 1" thick. The edges shall be sealed with a 22-gauge, steel interlocking molding. Molding corners shall be welded to each other and to face sheets, and ground smooth to form a rigid frame around the component.
- B. Pilasters shall be 1-1/4" thick. Vertical edges shall be sealed with a 22-gauge steel interlocking molding. Stirrup brackets with a jack bolt, for leveling during installation and permanent height adjustment, shall be welded within both top and bottom of each pilaster. "L" brackets shall be coupled to the stirrup brackets at both the floor and ceiling for full range adjustment. A shoe shall conceal each mounting, having an internal cross section conforming to the pilaster, and being formed of type 304 stainless steel #4 finish.
- C. All units shall be cleaned prior to application of a baked hybrid powder coating of at least 1.3 mil thickness.

2.04 HARDWARE (NOTE: Refer to the ORDER INFORMATION CONTRACT for specific hardware to be supplied on your order.)

- A. All exposed door hardware shall be as noted:
 - 1. Chromium plated die cast zamac hinge shall have gravity acting cam and wrap around flanges. Upper and lower door hinges are recessed. Door hardware shall include a coat hook, bumper, stop, keeper, a concealed latch with emergency access and chromium plated vandal resistant fasteners.
 - 2. Optional: Stainless steel die cast hinge shall have gravity acting cam and wrap around flanges. Upper and lower door hinges are recessed. Door hardware shall include a coat hook, bumper, stop, keeper, a concealed latch with emergency access and stainless steel vandal resistant fasteners.
 - 3. Optional: Continuous stainless steel hinge. Door hardware shall include a coat hook, bumper, stop, keeper a concealed latch with emergency access and stainless steel vandal resistant fasteners.
- B. Panel and pilaster brackets shall be as noted:
 - 1. Stirrup brackets shall be 2 1/8" long chromium plated die cast zamac. Stirrup brackets shall be 1/8" thick and mounted with chrome plated steel vandal resistant fasteners. The attachment of brackets to the adjacent wall construction shall be accomplished with 2 1/2" chrome plated steel vandal resistant screws and plastic anchors.
 - 2. Optional: Stirrup brackets shall be 2 1/8" long die cast stainless steel. Stirrup brackets shall be 1/8" thick and mounted with stainless steel vandal resistant fasteners. The attachment of brackets to the adjacent wall construction shall be accomplished with 2 1/2" stainless steel vandal resistant screws and plastic anchors.
 - 3. Optional: Continuous heavy duty anodized extruded aluminum (6063-T5 alloy) wall brackets are predrilled. Wall brackets are mounted with chromium plated steel vandal resistant fasteners. The attachment of brackets to the adjacent wall construction shall be accomplished with 2 1/2" chromium plated steel vandal resistant screws and plastic anchors.
 - 4. Optional: Continuous heavy duty stainless steel wall brackets are predrilled. Wall brackets are mounted with stainless steel vandal resistant fasteners. The attachment of brackets to the adjacent wall construction shall be accomplished with 2 1/2" stainless steel vandal resistant screws and plastic anchors.
- C. Pilaster shoes shall be stainless steel 4" high with a #4 satin finish.

PART-3 EXECUTION

3.01 PREPARATION

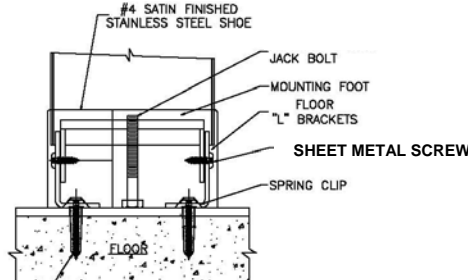
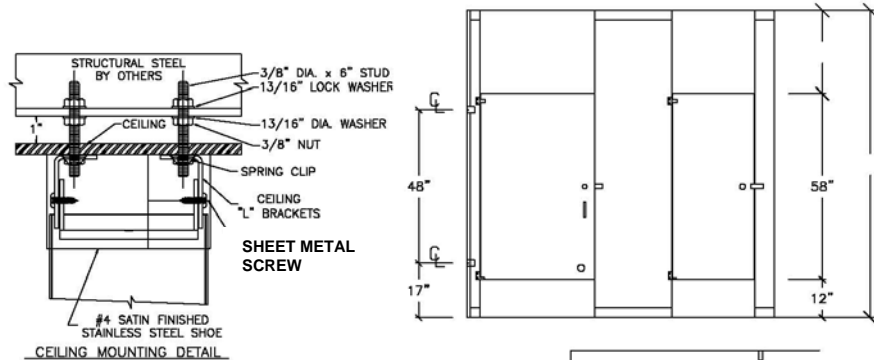
- A. Examine areas to receive toilet compartments for correct height and spacing of anchorage/blocking and plumbing fixtures that may affect installation of compartments. Report any discrepancies to the architect.
- B. Take complete and accurate measurements of toilet compartment locations.
- C. Start of work constitutes acceptance of job.

3.02 INSTALLATION

- A. Install compartments in a rigid, straight, plumb and level manner with steel as shown on the shop drawings and manufacturer's installation instructions.
- B. All doors and panels to be mounted at 12" above the finished floor unless otherwise specified.
- C. Clearance at vertical edges of door shall be uniform top to bottom.
- D. No evidence of cutting, drilling and/or patching shall be visible on the finished work.
- E. Finished surfaces shall be cleaned after installation and be left free of all imperfections.

3.03 WARRANTY

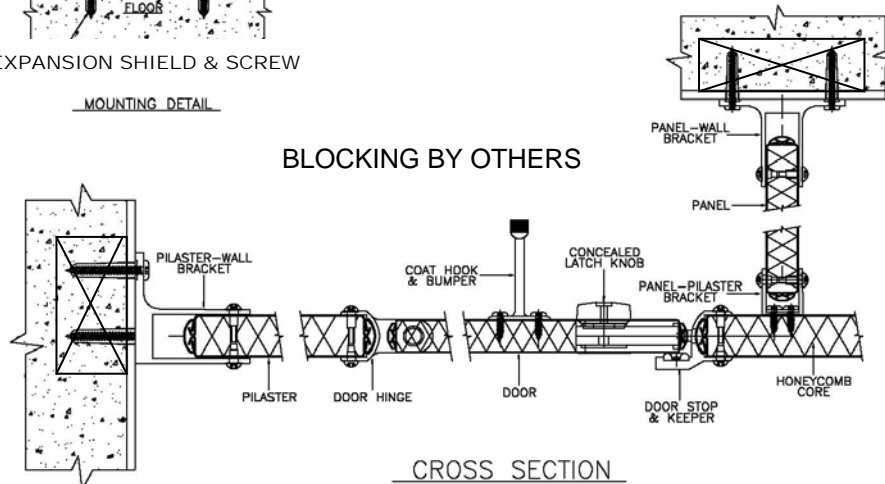
- A. Global Partitions guarantees its powder coated steel units, properly maintained, against corrosion or discoloration for 3 years from the date of receipt by the customer. If materials are found defective during that period for the reasons listed above, the material will be replaced free of charge. No credits or allowances will be issued for any labor or expenses relating to the replacement of components covered under the warranty plan. All such expenses are to be borne by the buyer.



EXPANSION SHIELD & SCREW

MOUNTING DETAIL

BLOCKING BY OTHERS



CROSS SECTION